

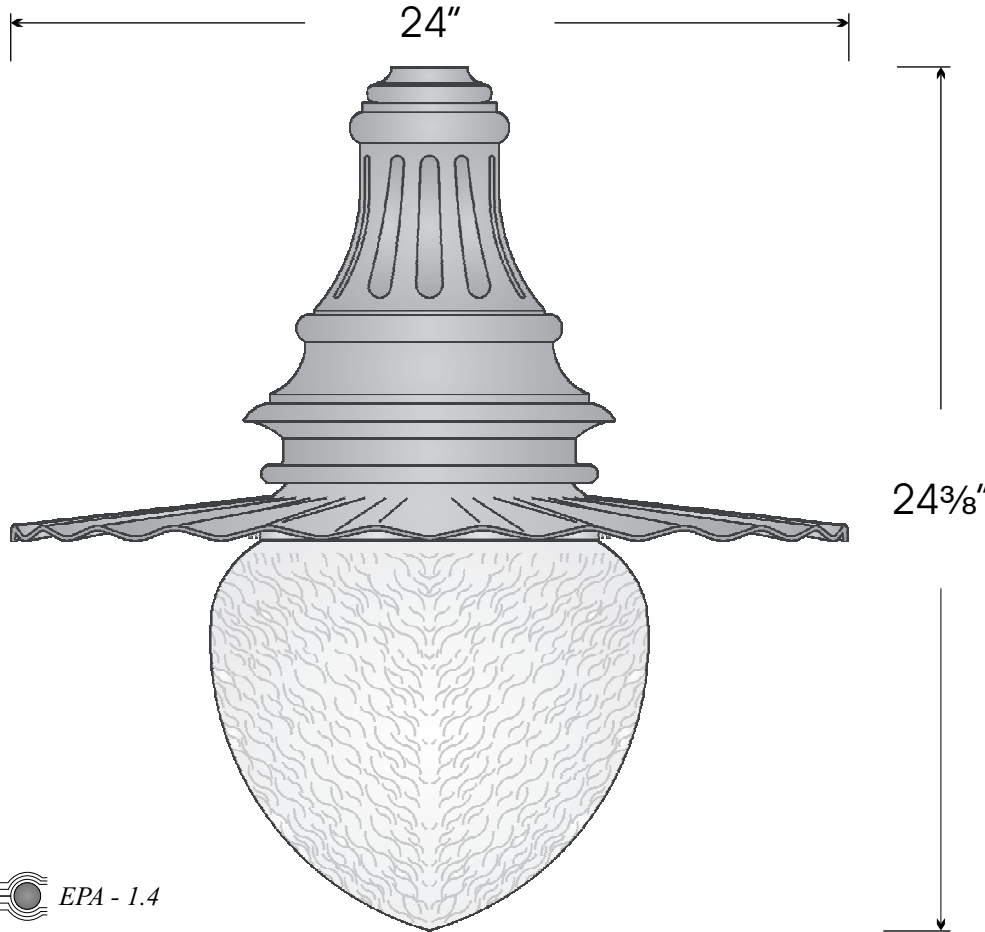


ELA LIGHTING COMPANY, INC.
 17891 Arenth Avenue
 City of Industry, CA 91748
 Web: www.ela-lighting.com
 E-mail: info@ela-lighting.com

Project _____
 Type _____

OLD WORLD

Post or Wall Mounted Luminaire with Stippled Polycarbonate Acorn Globe



EPA - 1.4

WT. - 25 LBS.

PHOTOMETRICS & LAYOUTS
 AVAILABLE UPON REQUEST.

L9424 Luminaire

WATTAGE:
 HID-50, 70, 75, 100, 150, 175,
 200 or 250. Fluorescent - 13-42

BALLAST:
 MH (Metal Halide)
 HPS (High Pressure Sodium)
 PL (Compact Fluorescent)
 PLS (Pulse Start)
 INC (Incandescent)
 OTHER (Please Specify)

VOLTAGE:
 120, 208, 240 and 277 (Multi-Tap)

SOCKET:
 MB - (Medium Base Porcelain)
 MG - (Mogul Base Porcelain)

OPTICS (Optional):
 PG = Prismatic Glass Refractor
 PG3 (Type III) or PG5 (Type V).
 -or-
 SP & ST = Polished Alum. Reflector
 SP (Spun) or ST (Stacked)

DIFFUSER:
 SPC - (Stippled Polycarbonate)
 OTHER (Please Specify)

POWDER COAT FINISHES:
 MN (Midnight), DB (Dark Bronze),
 WH (White), VL (Village Green),
 NR (Natural Russet), GY (Gray),
 DG (Dark Green), or
 CUSTOM (Specify)

FIXTURE	WATTAGE	BALLAST	VOLTAGE	OPTICS	DIFFUSER	COLOR	OPTIONS
L9424							

OPTIONS:
 SEE END OF CATALOG

SPECIFICATIONS:

The L9424 lantern is a period style cast (#356 grade) aluminum fixture. Corrosion resistant.

TESTING:
 This product and all its components shall be U.L. Listed.

ELECTRICAL:
 Ballasts are High Power Factor (HPF). Sockets are Med. or Mogul Base 4KV Rated.

OPTICS:
 Refractors shall be precision molded of Borosilicate glass with Types 3 or 5 distribution or of spun aluminum.

DARK SKIES (available):
 Units will be hydroformed or segmented sharp cut-off optics.

WARRANTY:
 3-Year Manufacturer's warranty.

ELA LIGHTING
 ▶ An American Tradition Since 1929.
 ▶ Custom Capabilities Second To None.
 ▶ Other Materials Such As Copper, Brass, Stainless Steel And Iron Are Also Available.

Call Toll Free: 1-800-423-6561
Fax: 1-626-965-9494

LP19-79



ELA LIGHTING COMPANY, INC.

17891 Arenth Avenue

City of Industry, CA 91748

Web: www.ela-lighting.com E-mail: info@ela-lighting.com

Phone: 800/423-6561 Fax: 626/965-9494

Photometry Testing Done By an Independent Testing Laboratory.

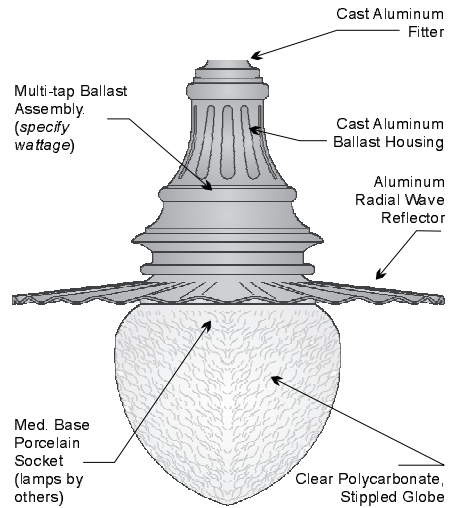
**L9424
Luminaire**

CONVERSION FACTORS

MOUNTING HEIGHTS

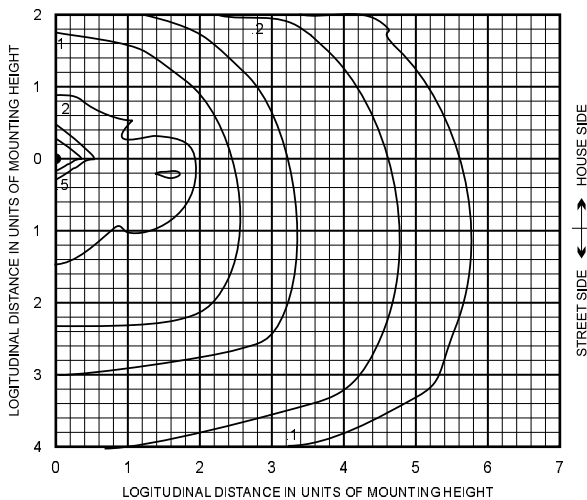
LAMP TYPE	LUMENS	9'	10'	12'	14'	16'	18'	20'	22'	25'
35 CLR HPS	2250	.23	.20	.14	.10	.08	.06			
70 CLR HPS	5800	.60	.52	.36	.27	.20	.16			
100 CLR HPS	9500	1.00	.86	.59	.44	.33	.26			
150 CLR HPS	16000	1.50	1.40	1.00	.74	.56	.44	.32	.20	.08
50 CLR MH	3800	.37	.33	.24	.18	.13	.11			
70 CLR MH	5500	.54	.48	.34	.25	.19	.15			
100 CLR MH	8500	.87	.76	.53	.39	.30	.23			
175 CLR MH	16600	1.75	1.50	1.00	.77	.58	.46	.34	.22	.10
250 CLR MH	20500					.75	.57	.39	.21	
100 DX MV	4200	.42	.37	.26	.19	.15	.12			
150 DX MV	8600	.85	.75	.54	.40	.30	.24			

SPECIFICATIONS

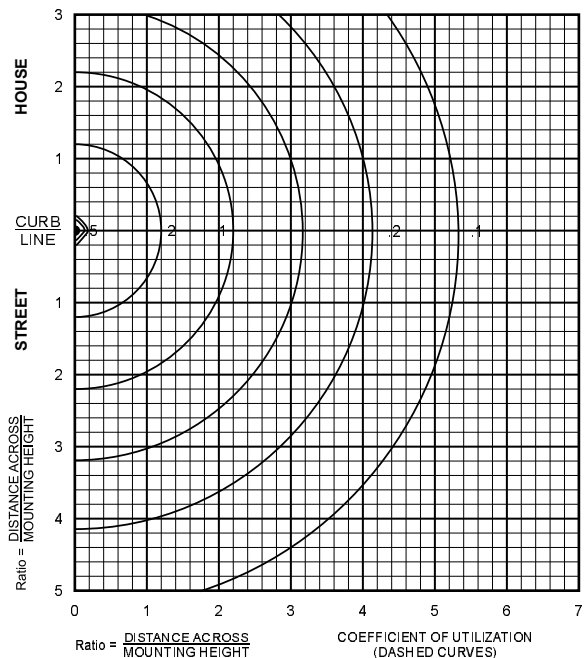


ISOLUX CHARTS

Type III Distribution
150w CLR HPS, 14400 Lumens
12' Height



Type V Distribution
175w CLR MH, 9100 Mean Lumens
12' Height



LP19-80

Note: Specifications are subject to change without notice. Always consult factory.