



ELA LIGHTING COMPANY, INC.
 17891 Arenth Avenue
 City of Industry, CA 91748
 Web: www.ela-lighting.com
 E-mail: info@ela-lighting.com

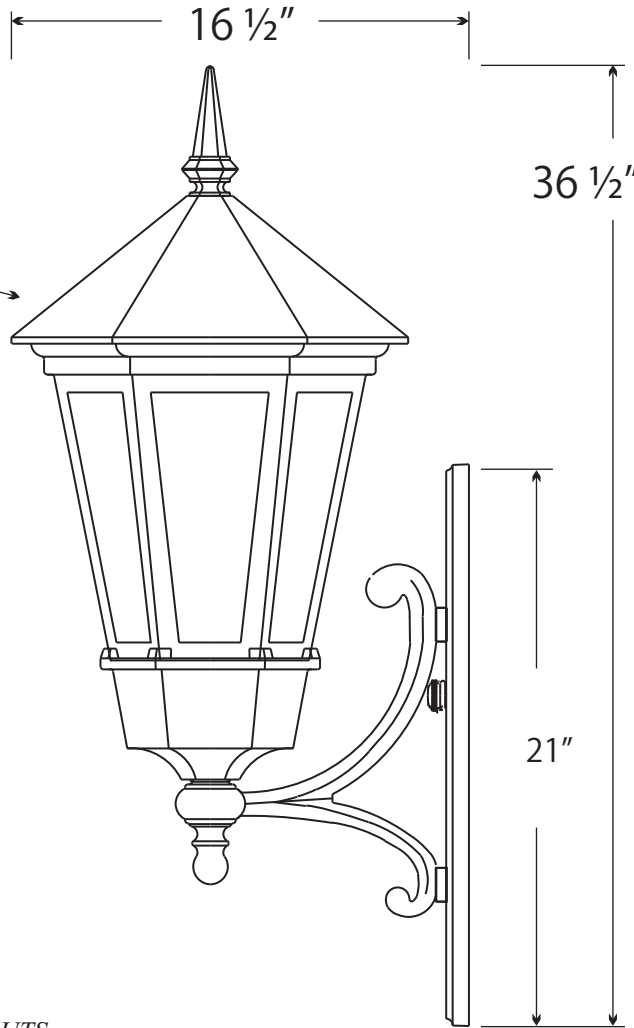
Project
 Type

ATLANTIS
Wall Mounted Lantern with Six (6) Flat Lens Panels

L4331BH
Luminaire

EPA - 1.7
 WT. - 38 LBS.

133" HEX,
 REMOVABLE HOOD.



PHOTOMETRICS & LAYOUTS
 AVAILABLE UPON REQUEST.

WATTAGE:
 HID - 70, 100, 150 and 175
 Fluorescent - 13-42

POSTLINE BALLAST:
MH (Metal Halide)
HPS (High Pressure Sodium)
PL (Compact Fluorescent)
PLS (Pulse Start)
INC (Incandescent)
OTHER (Please Specify)

VOLTAGE:
 120, 208, 240 and 277
 (Multi-Tap)

SOCKET:
MB - (Medium Base Porcelain)

OPTICS:
PG = Prismatic Glass Refractor
PG3 (Type III),
 or **PG5** (Type V).
 -or-
SP & ST = Polished Alum. Reflector
SP (Spun) or **ST** (Stacked)

DIFFUSER:
CGL - (Clear Glass)
FGL - (Frosted Glass)
SAC - (Seedy Acrylic)
CAC - (Clear Acrylic)
FAC - (Frosted Acrylic)
OTHER (Please Specify)

POWDER COAT FINISHES:
MN (Midnight), **DB** (Dark Bronze),
WH (White), **VL** (Village Green),
NR (Natural Russet), **GY** (Gray),
DG (Dark Green), or
CUSTOM (Specify)

FIXTURE	WATTAGE	BALLAST	VOLTAGE	OPTICS	DIFFUSER	COLOR	OPTIONS
L4331BH							

OPTIONS:
 SEE END OF CATALOG

SPECIFICATIONS:

The **L4331BH** lantern is a period style cast (#319 grade) aluminum and fabricated brass fixture. Corrosion resistant.

TESTING:
 This product and all its components shall be U.L. Listed.

ELECTRICAL:
 Ballasts are High Power Factor (HPF). Sockets are Med. Base 4KV Rated.

OPTICS:
 Refractors shall be precision molded of Borosilicate glass with Types 3 or 5 distribution or of spun aluminum.

DARK SKIES (available):
 Consult Factory

WARRANTY:
 3-Year Manufacturer's warranty.

ELA LIGHTING
 ☎ An American Tradition Since 1929.
 ☎ Custom Capabilities Second To None.
 ☎ Other Materials Such As Copper, Brass, Stainless Steel And Iron Are Also Available.

Call Toll Free: 1-800-423-6561
Fax: 1-626-965-9494