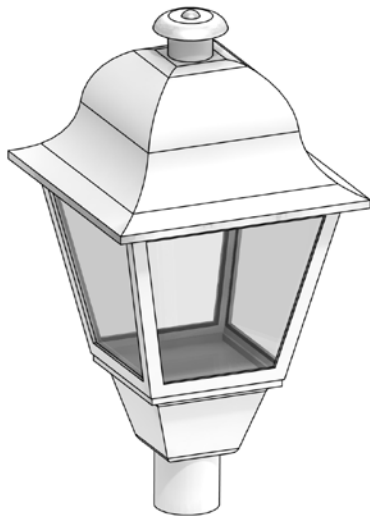


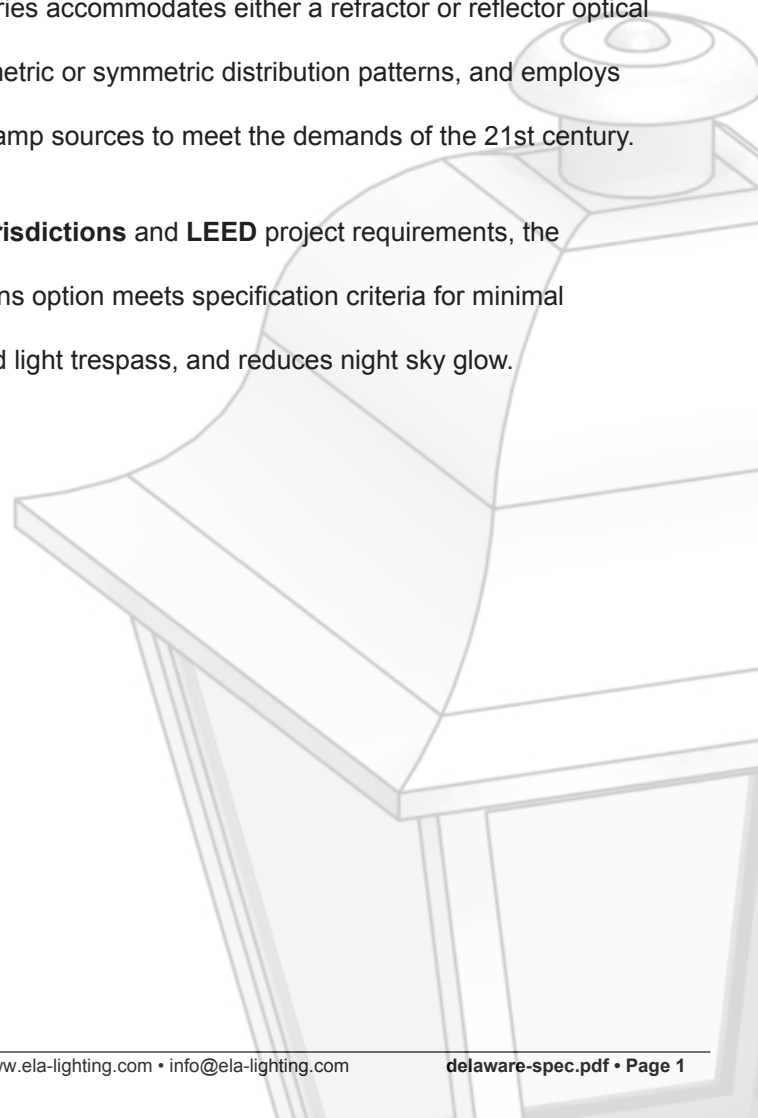
DELAWARE

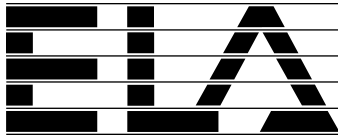


The **Colony Series** is an elegantly proportioned 4-sided traditional lantern that takes one's imagination back to the early days of the original 13 Colonies. The Series features a choice between four distinctive hood styles (**Andover, Bridgeport, Columbia or Delaware**), and three cage/mounting options for post top and multi-arm, pendant, and wall mount configurations.

ELA's Colony Series accommodates either a refractor or reflector optical system in asymmetric or symmetric distribution patterns, and employs energy efficient lamp sources to meet the demands of the 21st century.

For **Dark-Sky jurisdictions** and **LEED** project requirements, the **NEW** dark-sky lens option meets specification criteria for minimal uplight, controlled light trespass, and reduces night sky glow.

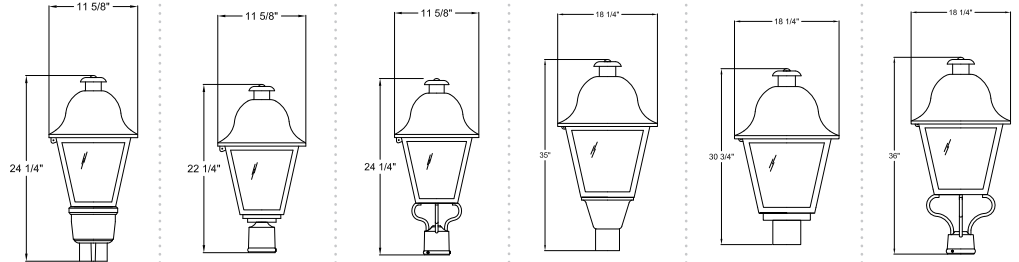




1	2	3	4	5	6	7	8	9
Fixture /	Size /	Mounting /	Optics /	Ballast /	Voltage /	Lens /	Color /	Option
DLW /	18BH /	PT /	V5 /	100MH /	120 /	FG /	CL /	--

1. Fixture: DLW

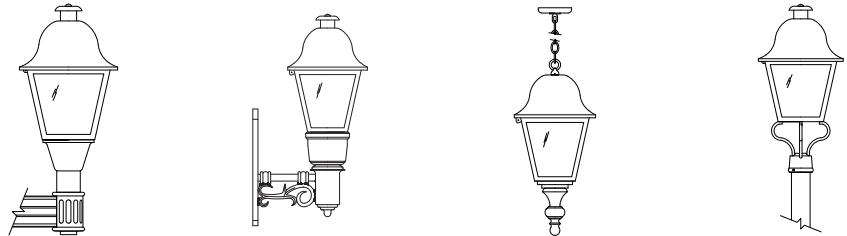
2. Size



Matrix #:	12BH	12ST	12CF	18BH	18ST	18CF
Description:	Ballast Housing	Step Housing	Convex Fork	Ballast Housing	Step Housing	Convex Fork
Notes:		Max Wattage 150W			Max Wattage 250W	
EPA:		0.9			1.9	
Weight:		22lbs			32lbs	

NOTE: For Dark Sky options, consult factory

3. Mounting



Matrix #:	CA	WB	CP	PT
Description:	Cross Arm	Wall Bracket	Chain Pendant	Post Top

NOTE:
1) For Poles, Wall Brackets and other mounting options, please consult factory.
2) When ordering Post Top and Convex, please specify fitter size.

4. Optics

Horizontal



Matrix #: H3
Description: TYPE 3



Matrix #: H5
Description: TYPE 5

Horizontal (Dark Skies)



Matrix #: DS3
Description: TYPE 3



Matrix #: DS5
Description: TYPE 5

Vertical



Matrix #: V3
Description: TYPE 3



Matrix #: V5
Description: TYPE 5

Vertical (Refractor)



Matrix #: VR3
Description: TYPE 3



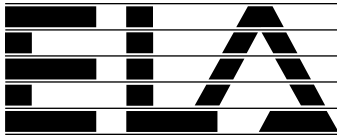
Matrix #: VR5
Description: TYPE 5

Note: * 12 model only fits

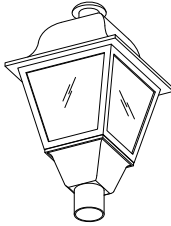
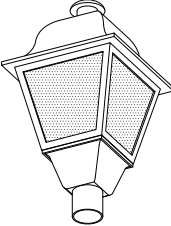
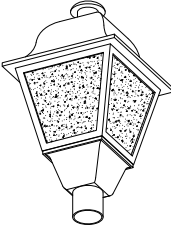
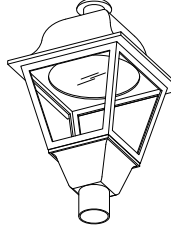
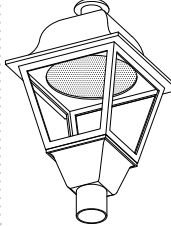
5. Ballast

Description:	Metal Halide	Pulse Start Metal Halide	Incandescent	Compact Fluorescent	Induction Lamp	High Pressure Sodium
Matrix #:	(Watts / Type) T6 39MH T6 70MH T6 150MH	(Watts / Type / Position) 50PSMH (Universal) 70PSMH (Universal) 100PSMH (Universal) 150PSMH (Universal) 175PSMH (Base Up) * 200PSMH (ED17 Base Up, ED28 Vertical) * 250PSMH (ED28 Universal) *	(Watts / Type) INC	(Watts / Type) 18CFL** 26CFL** 32CFL** 42CFL** 57CFL* 60CFL*	(Watts / Type) 55IFL* 85IFL* 165IFL*	(Watts / Type) 50HPS 70HPS 100HPS 150HPS 250HPS* 310HPS*

Note:
1) Electronic ballast available for 50, 70, 100, 150, 200, and 250 watt MH lamps.
2) Other wattages available. Consult factory.
3) * For 18 Model only.
4) ** Fits 12 Model vertical only, fits 18 Model horizontal and vertical.



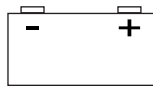
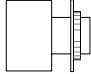
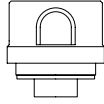
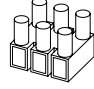
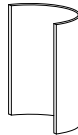

6. Voltage	Matrix #:	120	208	240	277	347	480
	Description:	120V	208V	240V	277V	347V	480V

7. Lens					
	Matrix #: CG CA	FG FA	SG SA	DSCG	DSFG
Description:	Clear Glass Clear Acrylic	Frosted Glass Frosted Acrylic	Seedy Glass Seedy Acrylic	Flat Tempered Clear Glass	Flat Tempered Frosted Glass

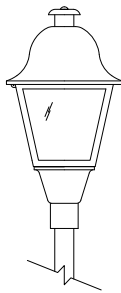
Note: For other lens options, consult factory.

8. Color	Powder Coat Finish				Hand-Applied Finish	
	Matrix #	Description	Matrix #	Description	Matrix #	Description
	AG	Augustine Green	PW	Pewter	CH	Cracked Hide
	CL	Clay	SS	Sand Storm	LV	Light Verde
	DB	Dark Bronze	SB	Statuary Bronze	OR	Old Iron
	HP	Hammered Pewter	VL	Village Green	R	Rust
	MG	Malaga Green	W	White	V	Verde
	MN	Midnight	CC	Charcoal		

Note: For custom colors, consult factory.

9. Options	<p>Note:</p> <p>1) BBU option is available for fluorescent lamp only.</p> <p>2) Test button location shall have visibility for testing on site. Consult factory of placement.</p> <p>Photocell Options:</p> <p>Photocell is available in 120 thru 480 volts. Photocell receptacle only fits some cross arms. Consult factory. Specify when ordering.</p>						
		Matrix #:	BBU	PCB	PCR	TB	HSS
	Description:	Battery Backup	Photocell Button	Photocell receptacle Twist Lock by others	Terminal Block	House Side Shield	Chimney

Fixture Ordering Example:



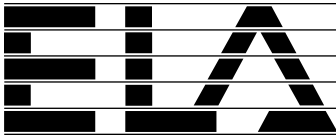
DLW/18BH/PT/V5/100MH/120/FG/CL

1	2	3	4	5	6	7	8	9								
Fixture	/	Size	/	Mounting	/	Optics	/	Ballast	/	Voltage	/	Lens	/	Color	/	Option
DLW	/	18BH	/	PT	/	V5	/	100MH	/	120	/	FG	/	CL	/	-
Delaware Fixture		18 Ballast housing		Post Top		Vertical Type 5		100 Watt Metal Halide		120 Volts		Frosted Glass		Clay		-

Fixture Ordering Form:

1	2	3	4	5	6	7	8	9	9	9										
Fixture	/	Size	/	Mounting	/	Optics	/	Lamp	/	Voltage	/	Lens	/	Color	/	Option	/	Option	/	Option

1. DLW / _____ / _____ / _____ / _____ / _____ / _____ / _____ / _____ / _____ / _____ / _____ / _____ / _____ / _____ / _____ / _____



Specifications

Fixture Housing: One-piece sand-cast. Housing shall be corrosion resistant cast aluminum alloy #A356. The housing shall be free of any foreign materials or cosmetic fillers. Standard fitters shall slip over 3" and 4" poles, for other options please consult factory. For wall and arm mounts, consult factory for installation.

Optics: Units shall be hydroformed or segmented sharp cut-off optics. Specular Alzak® optical segments are rigidly mounted within a sand-cast, low copper (<0.6% Cu) aluminum alloy enclosure. All sockets are factory prewired; an optional quick-disconnect plug for the ballast module is available when specified. The optical segments are positioned so that reflected light does not pass through the lamp arc tube to achieve maximum lamp output.

Electrical Module: All electrical components are UL and CSA recognized, mounted on a single plate and factory prewired.
Reference pages 6 and 7 for lamp characteristics, ballast types and voltage technical data.

Lens: Four side panels with stainless steel clips provided for attachment to the fixture. Glass shall be sealed in field by others. The Dark-Sky lens options shall be tempered glass, factory installed.

Finish/Color: Finish is Super TGIC thermoset polyester powder coat paint, 2.5 mil nominal thickness, applied over a titanated zirconium conversion coating; A.S.T.M. 2500 hour salt spray test endurance rating. ELA offers twelve standard colors. Custom powder coat and hand-applied colors are available.

Certification: Fixtures shall be listed for outdoor, wet location. UL1598. IP rating 66.

CAUTION: Fixtures must be grounded in accordance with national, state, and/or local codes. Failure to do so may result in serious personal injury.

ELA RESERVES THE RIGHT TO CHANGE SPECIFICATIONS WITHOUT NOTICE.

Elevated Scale

Suggested Poles and Arms for the Delaware Fixture



Fixture :	DLW12	DLW12	DLW18	DLW18	DLW18	DLW18	DLW12	DLW18
Arm :	BR26	--	--	CR4B	CR2A	--	--	BR7
Pole:		P3009A-8'	P3016A-10'	P3025D-16'	P3042B-16'	P3012A-12'	PM607	
Options :								

Note: Modifications to the fixture and additional pole heights are available