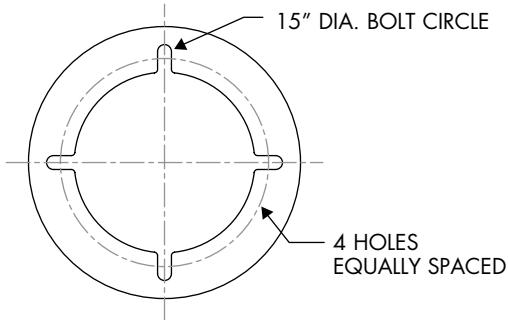
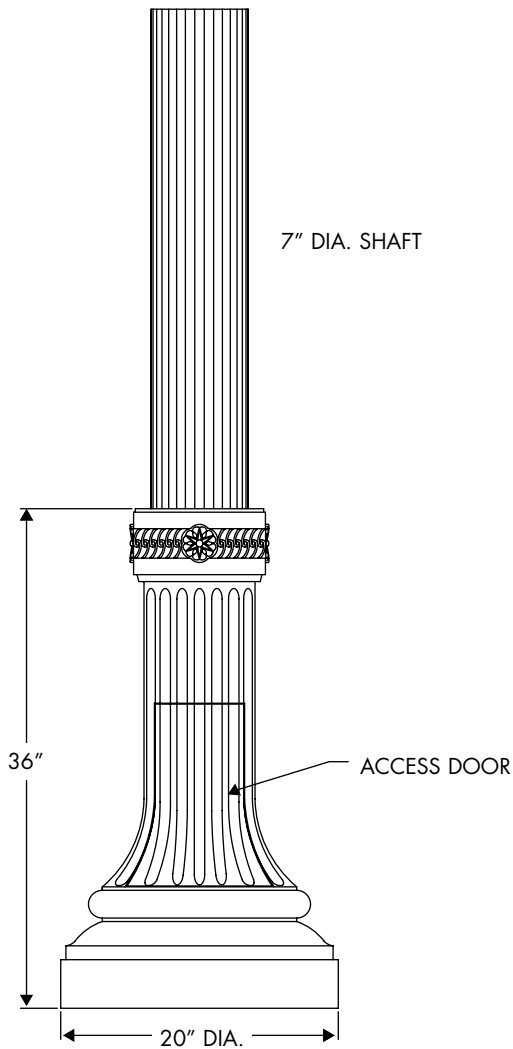
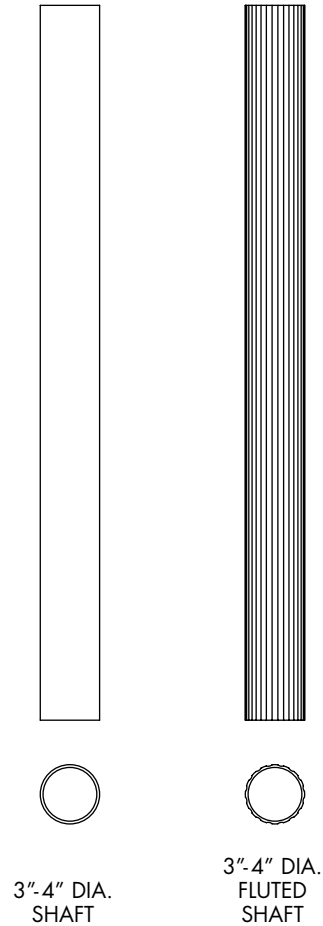


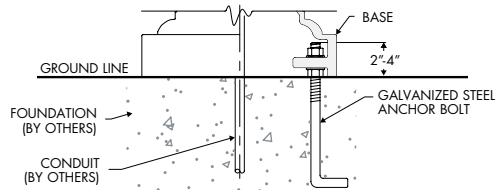
Note: Specifications are subject to change without notice. Always consult factory.



P-3056 BASE



Alternate Pole Shafts



Mounting Bolt Conditions with a Pole Base *(Basic Example)*

Maximum Pole Heights and Shaft types differ per project.

Pole shafts are normally determined by material loading specifications, location of project, and EPA requirements.

Please contact factory.

