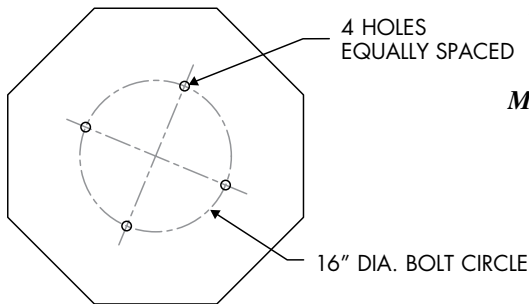
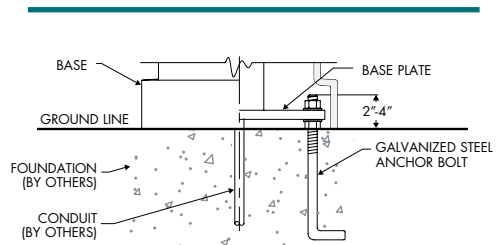
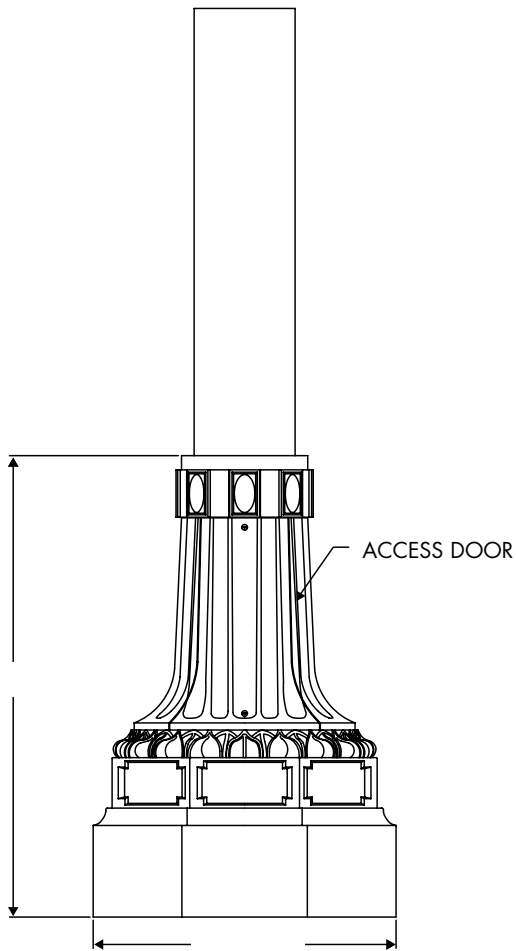


Note: Specifications are subject to change without notice. Always consult factory.



Mounting Bolt Conditions with a Pole Base Plate (Basic Example)

Maximum Pole Heights and Shaft types differ per project.

Pole shafts are normally determined by material loading specifications, location of project, and EPA requirements.
Please contact factory.

P-3044 BASE



Environmental Lighting for Architecture, Inc.
17891 Arenth Avenue, City of Industry, CA 91748-1197
626.965.0821 • 800.423.6561 • fax 626.965.9494
www.ela-lighting.com