



**ELA LIGHTING COMPANY, INC.**  
 17891 Arenth Avenue  
 City of Industry, CA 91748  
 Web: www.ela-lighting.com  
 E-mail: info@ela-lighting.com

Project \_\_\_\_\_  
 Type \_\_\_\_\_

**NOSTALGIA**  
*Luminaire with a 20" Shade*

**L-8520B**  
**Luminaire**

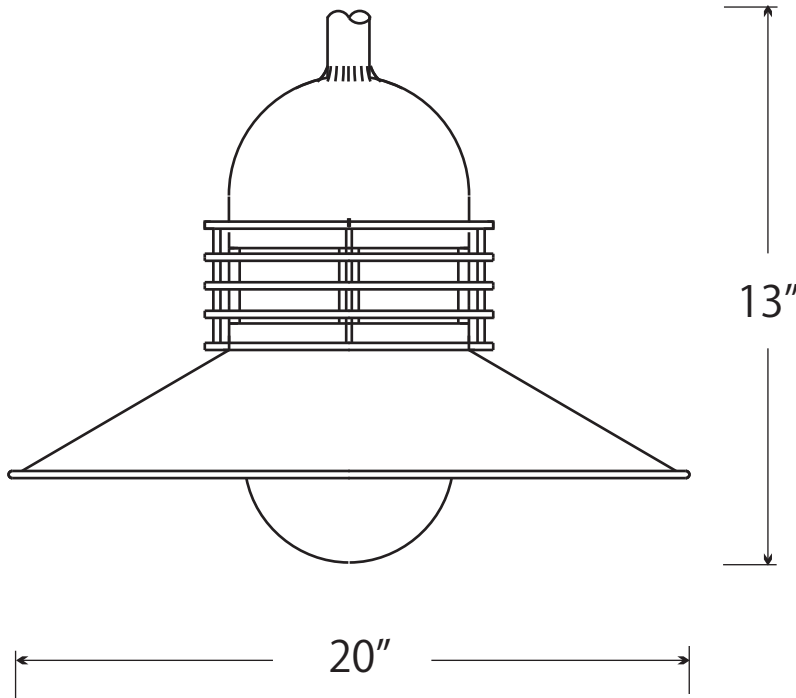
**PHOTOMETRICS & LAYOUTS**  
 AVAILABLE UPON REQUEST.

**WATTAGE:**  
 HID - 50, 70, 100, 150, 175  
 Fluorescent - 13-42

EPA - 1.2

WT. - 30 LBS.

**POSTLINE BALLAST:**  
 MH (Metal Halide)  
 HPS (High Pressure Sodium)  
 PL (Compact Fluorescent)  
 PLS (Pulse Start)  
 INC (Incandescent)  
 OTHER (Please Specify)



**VOLTAGE:**  
 120, 208, 240 and 277 (Multi-Tap)

**SOCKET:**  
 MB - (Medium Base Porcelain)

**OPTICS:**  
 Type V Distribution

**LENS TYPES:**  
 Vapor Jar (Jelly Jar)  
 Glass Clock  
 Clear or frosted

**POWDER COAT FINISHES:**  
 MN (Midnight), DB (Dark Bronze),  
 WH (White), VL (Village Green),  
 NR (Natural Russet), GY (Gray),  
 DG (Dark Green), or  
 CUSTOM (Specify)

FIXTURE	WATTAGE	BALLAST	VOLTAGE	OPTICS	DIFFUSER	COLOR	OPTIONS
L8520B							

**OPTIONS:**  
 SEE END OF CATALOG

**SPECIFICATIONS:**

**ELA LIGHTING**  
 ☺ An American Tradition Since 1929.  
 ☺ Custom Capabilities Second To None.  
 ☺ Other Materials Such As Copper, Brass, Stainless Steel And Iron Are Also Available.

The **L8520B** luminaire is a contemporary style cast and spun aluminum fixture. Corrosion resistant.

**TESTING:**  
 This product and all its components shall be U.L. Listed.

**ELECTRICAL:**  
 Ballasts are High Power Factor (HPF). Sockets are Med. Base 4KV Rated.

**OPTICS:**  
 Type 5 distribution.

**DARK SKIES (available):**  
 Consult factory.

**WARRANTY:**  
 3-Year Manufacturer's warranty.

**Call Toll Free: 1-800-423-6561**  
**Fax: 1-626-965-9494**