



ELA LIGHTING COMPANY, INC.
 17891 Arenth Avenue
 City of Industry, CA 91748
 Web: www.ela-lighting.com
 E-mail: info@ela-lighting.com

Project _____
 Type _____

NOSTALGIA
Luminaire with a 20" Shade

L-8500-20B
Luminaire

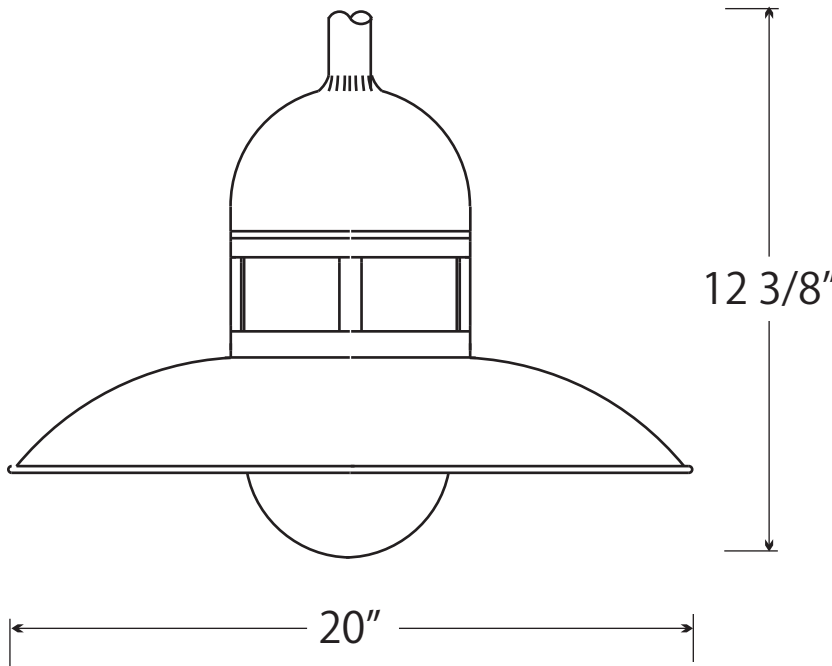
PHOTOMETRICS & LAYOUTS
 AVAILABLE UPON REQUEST.

WATTAGE:
 HID - 50, 70, 100, 150, 175
 Fluorescent - 13-42

EPA - 1.2

WT. - 30 LBS.

POSTLINE BALLAST:
 MH (Metal Halide)
 HPS (High Pressure Sodium)
 PL (Compact Fluorescent)
 PLS (Pulse Start)
 INC (Incandescent)
 OTHER (Please Specify)



VOLTAGE:
 120, 208, 240 and 277 (Multi-Tap)

SOCKET:
 MB - (Medium Base Porcelain)

OPTICS:
 Type V Distribution

LENS TYPES:
 Vapor Jar (Jelly Jar)
 Glass Clock
 Clear or frosted

POWDER COAT FINISHES:
 MN (Midnight), DB (Dark Bronze),
 WH (White), VL (Village Green),
 NR (Natural Russet), GY (Gray),
 DG (Dark Green), or
 CUSTOM (Specify)

FIXTURE	WATTAGE	BALLAST	VOLTAGE	OPTICS	DIFFUSER	COLOR	OPTIONS
L8500-20B							

OPTIONS:
 SEE END OF CATALOG

SPECIFICATIONS:

ELA LIGHTING
 ☺ An American Tradition Since 1929.
 ☺ Custom Capabilities Second To None.
 ☺ Other Materials Such As Copper, Brass, Stainless Steel And Iron Are Also Available.

The **L8500-20B** luminaire is a contemporary style cast and spun aluminum fixture. Corrosion resistant.

TESTING:
 This product and all its components shall be U.L. Listed.

ELECTRICAL:
 Ballasts are High Power Factor (HPF). Sockets are Med. Base 4KV Rated.

OPTICS:
 Types 5 distribution.

DARK SKIES:
 Consult Factory.

WARRANTY:
 3-Year Manufacturer's warranty.

Call Toll Free: 1-800-423-6561
Fax: 1-626-965-9494