



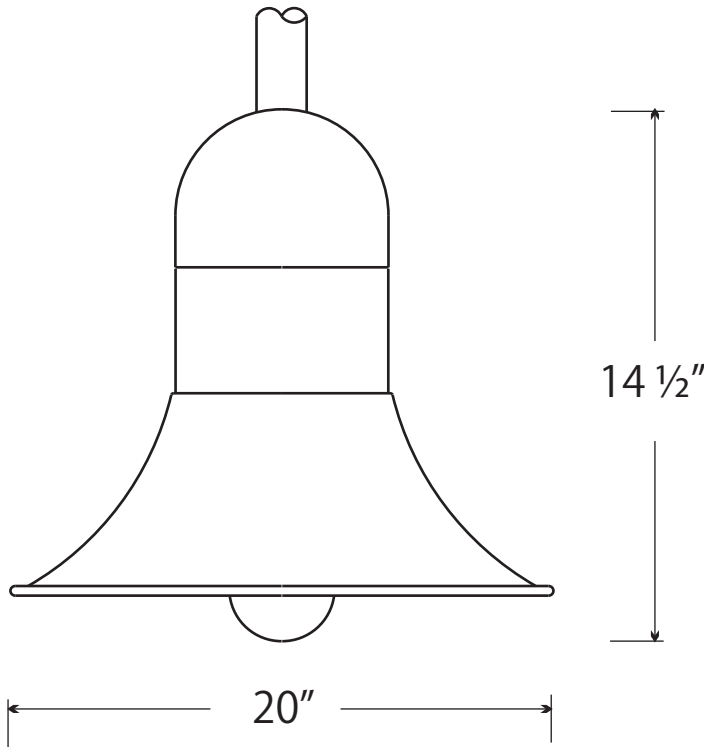
ELA LIGHTING COMPANY, INC.
 17891 Arenth Avenue
 City of Industry, CA 91748
 Web: www.ela-lighting.com
 E-mail: info@ela-lighting.com

Project _____
 Type _____

NOSTALGIA
Luminaire with a 20" Shade

PHOTOMETRICS & LAYOUTS
 AVAILABLE UPON REQUEST.

EPA - 0.8
 WT. - 30 LBS.



L-8220
Luminaire

WATTAGE:
HID - 50, 70, 100
Fluorescent - 13-42

POSTLINE BALLAST:
MH (Metal Halide)
HPS (High Pressure Sodium)
PL (Compact Fluorescent)
PLS (Pulse Start)
INC (Incandescent)
OTHER (Please Specify)

VOLTAGE:
120, 208, 240 and 277 (Multi-Tap)

SOCKET:
MB - (Medium Base Porcelain)

OPTICS:
 Type V Distribution

LENS TYPE:
 Vapor Jar (Jelly Jar)

POWDER COAT FINISHES:
MN (Midnight), **DB** (Dark Bronze),
WH (White), **VL** (Village Green),
NR (Natural Russet), **GY** (Gray),
DG (Dark Green), or
CUSTOM (Specify)

FIXTURE	WATTAGE	BALLAST	VOLTAGE	OPTICS	DIFFUSER	COLOR	OPTIONS
L8220							

OPTIONS:
 SEE END OF CATALOG

SPECIFICATIONS:

The **L8220** luminaire is a contemporary style cast and spun aluminum fixture. Corrosion resistant.

TESTING:
 This product and all its components shall be U.L. Listed.

ELECTRICAL:
 Ballasts are High Power Factor (HPF). Sockets are Med. Base 4KV Rated.

OPTICS:
 Type 5 distribution.

DARK SKIES (available):
 Consult factory.

WARRANTY:
 3-Year Manufacturer's warranty.

ELA LIGHTING

Ⓢ *An American Tradition Since 1929.*

Ⓢ *Custom Capabilities Second To None.*

Ⓢ *Other Materials Such As Copper, Brass, Stainless Steel And Iron Are Also Available.*

Call Toll Free: 1-800-423-6561
Fax: 1-626-965-9494

Note: Specifications are subject to change without notice. Always consult factory.