



**ELA LIGHTING COMPANY, INC.**  
 17891 Arenth Avenue  
 City of Industry, CA 91748  
 Web: www.ela-lighting.com  
 E-mail: info@ela-lighting.com

Project \_\_\_\_\_  
 Type \_\_\_\_\_

**NOSTALGIA**  
*Luminaire with a 16" Shade*

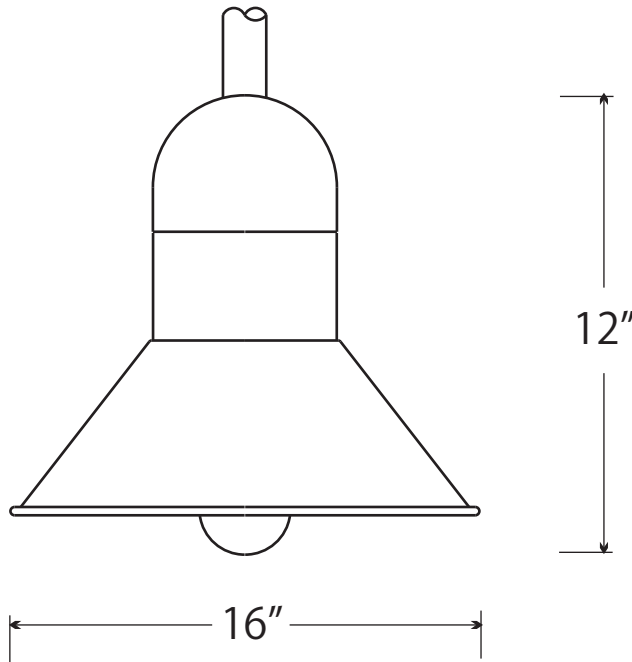
**L-8116**  
**Luminaire**

**PHOTOMETRICS & LAYOUTS**  
 AVAILABLE UPON REQUEST.

**WATTAGE:**  
**HID - 50, 70, 100**  
**Fluorescent - 13-42**

**EPA - 0.6**  
 WT. - 30 LBS.

**POSTLINE BALLAST:**  
**MH** (Metal Halide)  
**HPS** (High Pressure Sodium)  
**PL** (Compact Fluorescent)  
**PLS** (Pulse Start)  
**INC** (Incandescent)  
**OTHER** (Please Specify)



**VOLTAGE:**  
**120, 208, 240 and 277 (Multi-Tap)**

**SOCKET:**  
**MB - (Medium Base Porcelain)**

**OPTICS:**  
 Type V Distribution

**LENS TYPE:**  
**Vapor Jar (Jelly Jar)**

**POWDER COAT FINISHES:**  
**MN** (Midnight), **DB** (Dark Bronze),  
**WH** (White), **VL** (Village Green),  
**NR** (Natural Russet), **GY** (Gray),  
**DG** (Dark Green), or  
**CUSTOM** (Specify)

FIXTURE	WATTAGE	BALLAST	VOLTAGE	OPTICS	DIFFUSER	COLOR	OPTIONS
<b>L8116</b>							

**OPTIONS:**  
 SEE END OF CATALOG

**SPECIFICATIONS:**

<p>The <b>L8116</b> luminaire is a contemporary style cast and spun aluminum fixture. Corrosion resistant.</p> <p><b><u>TESTING:</u></b>          This product and all its components shall be U.L. Listed.</p>	<p><b><u>ELECTRICAL:</u></b>          Ballasts are High Power Factor (HPF). Sockets are Med. Base 4KV Rated.</p> <p><b><u>OPTICS:</u></b>          Type 5 distribution.</p>	<p><b><u>DARK SKIES (available):</u></b>          Consult factory.</p> <p><b><u>WARRANTY:</u></b>          3-Year Manufacturer's warranty.</p>
---	---	--

**ELA LIGHTING**

☺ *An American Tradition Since 1929.*

☺ *Custom Capabilities Second To None.*

☺ *Other Materials Such As Copper, Brass, Stainless Steel And Iron Are Also Available.*

**Call Toll Free: 1-800-423-6561**  
**Fax: 1-626-965-9494**

*Note: Specifications are subject to change without notice. Always consult factory.*