



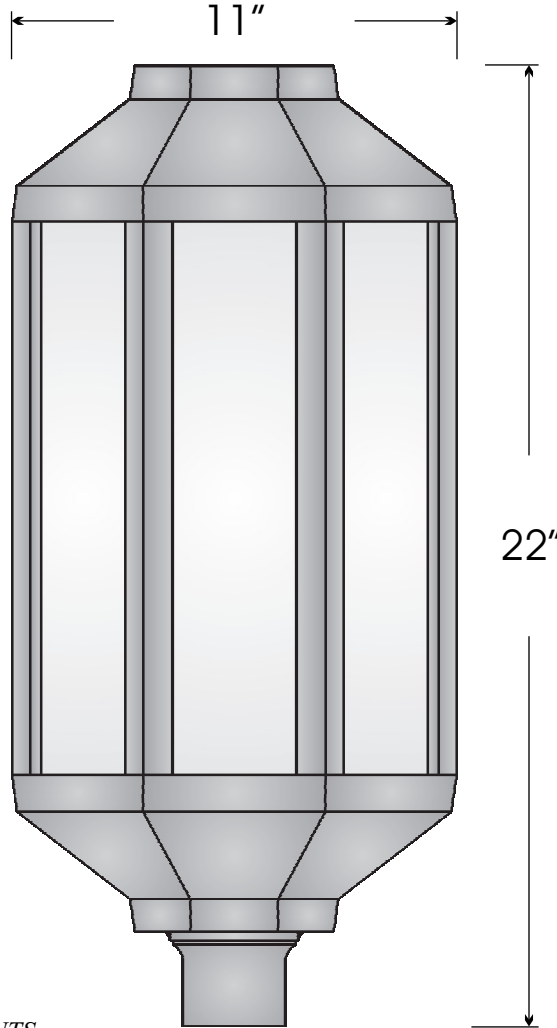
ELA LIGHTING COMPANY, INC.
 17891 Arenth Avenue
 City of Industry, CA 91748
 Web: www.ela-lighting.com
 E-mail: info@ela-lighting.com

Project
 Type

MIRAMAR
Post Mounted Luminaire with Eight (8) Flat Lens Panels

L5724BH
Luminaire

EPA - 1.7
 WT. - 40 LBS.



PHOTOMETRICS & LAYOUTS
 AVAILABLE UPON REQUEST.

WATTAGE:
 HID-50, 70, 75, 100, 150, 175,
 200 & 250. Fluorescent - 13-42

BALLAST:
 MH (Metal Halide)
 HPS (High Pressure Sodium)
 PL (Compact Fluorescent)
 PLS (Pulse Start)
 INC (Incandescent)
 OTHER (Please Specify)

VOLTAGE:
 120, 208, 240 and 277 (Multi-Tap)

SOCKET:
 MB - (Medium Base Porcelain)
 MG - (Mogul Base Porcelain)

OPTICS:
 PG = Prismatic Glass Refractor
 PG2 (Type II), PG3 (Type III),
 or PG5 (Type V).
 -or-
 SP & ST = Polished Alum. Reflector
 SP (Spun) or ST (Stacked)

DIFFUSER:
 CGL - (Clear Glass)
 BCG - (Beveled Clear Glass)
 OGL - (Opal Glass)
 FGL - (Frosted Glass)
 CAC - (Clear Acrylic)
 FAC - (Frosted Acrylic)
 OTHER (Please Specify)

POWDER COAT FINISHES:
 MN (Midnight), DB (Dark Bronze),
 WH (White), VL (Village Green),
 NR (Natural Russet), GY (Gray),
 DG (Dark Green), or
 CUSTOM (Specify)

FIXTURE WATTAGE BALLAST VOLTAGE OPTICS DIFFUSER COLOR OPTIONS

L5724BH							
----------------	--	--	--	--	--	--	--

OPTIONS:
 SEE END OF CATALOG

SPECIFICATIONS:

<p>The L5724BH lantern is a period style cast (#356 grade) aluminum fixture. Corrosion resistant.</p> <p>TESTING: This product and all its components shall be U.L. Listed.</p>	<p>ELECTRICAL: Ballasts are High Power Factor (HPF). Sockets are Med. or Mogul Base 4KV Rated.</p> <p>OPTICS: Refractors shall be precision molded of Borosilicate glass with Types 2, 3 or 5 distribution or of spun aluminum.</p>	<p>DARK SKIES (available): Units will be hydroformed or segmented sharp cut-off optics.</p> <p>WARRANTY: 3-Year Manufacturer's warranty.</p>
--	---	--

ELA LIGHTING

- ▶ An American Tradition Since 1929.
- ▶ Custom Capabilities Second To None.
- ▶ Other Materials Such As Copper, Brass, Stainless Steel And Iron Are Also Available.

Call Toll Free: 1-800-423-6561
Fax: 1-626-965-9494

LA10-1

Note: Specifications are subject to change without notice. Always consult factory.



ELA LIGHTING COMPANY, INC.

17891 Arenth Avenue

City of Industry, CA 91748

Web: www.ela-lighting.com E-mail: info@ela-lighting.com

Phone: 800/423-6561 Fax: 626/965-9494

Photometry Testing Done By an Independent Testing Laboratory.

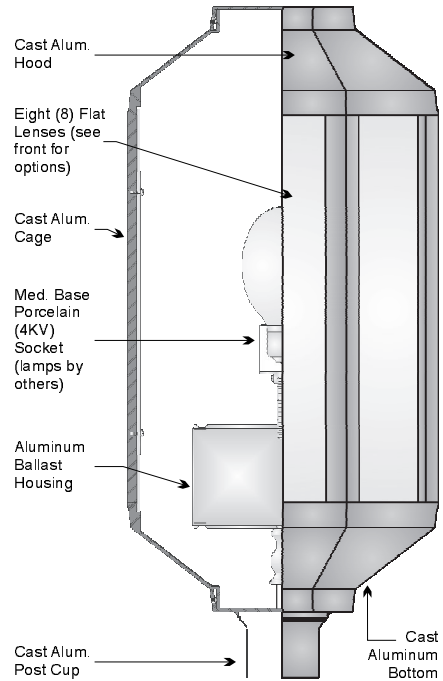
**L5724BH
Lantern**

CONVERSION FACTORS

MOUNTING HEIGHTS

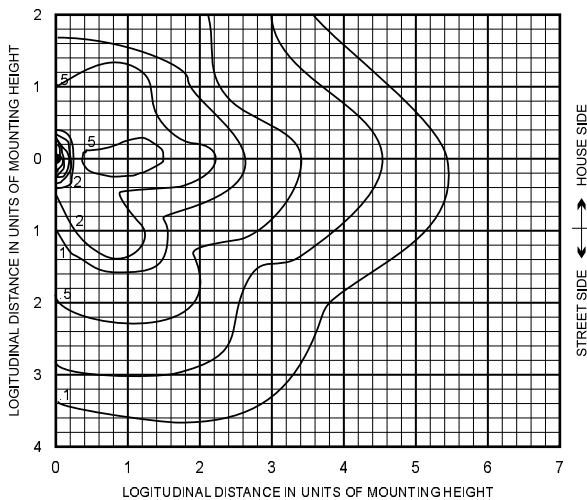
SPECIFICATIONS

LAMP TYPE	LUMENS	9'	10'	12'	14'	16'	18'	20'	22'	25'
35 CLR HPS	2250	.23	.20	.14	.10	.08	.06			
70 CLR HPS	5800	.60	.52	.36	.27	.20	.16			
100 CLR HPS	9500	1.00	.86	.59	.44	.33	.26			
150 CLR HPS	16000	1.50	1.40	1.00	.74	.56	.44	.32	.20	.08
50 CLR MH	3800	.37	.33	.24	.18	.13	.11			
70 CLR MH	5500	.54	.48	.34	.25	.19	.15			
100 CLR MH	8500	.87	.76	.53	.39	.30	.23			
175 CLR MH	16600	1.75	1.50	1.00	.77	.58	.46	.34	.22	.10
100 DX MV	4200	.42	.37	.26	.19	.15	.12			
150 DX MV	8600	.85	.75	.54	.40	.30	.24			

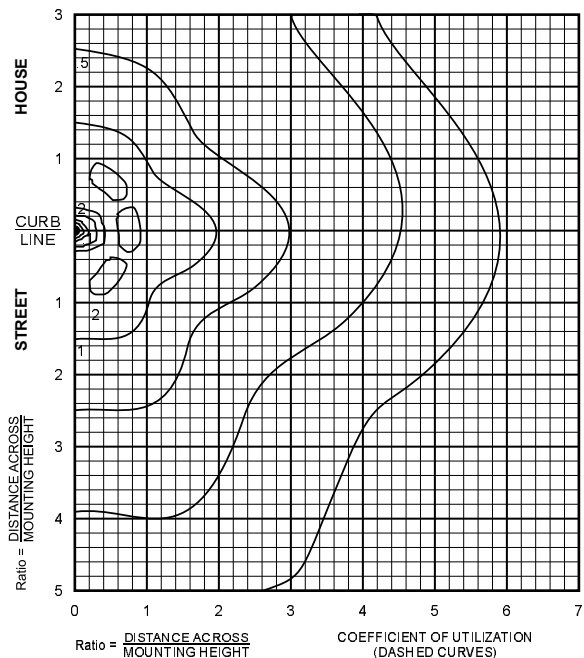


ISOLUX CHARTS

Type III Distributor
150w CLR HPS, 16000 Lumens
12' Height



Type V Distribution (Dark Skies)
150w CLR HPS, 14400 Mean Lumens
12' Height



LA10-2

Note: Specifications are subject to change without notice. Always consult factory.