

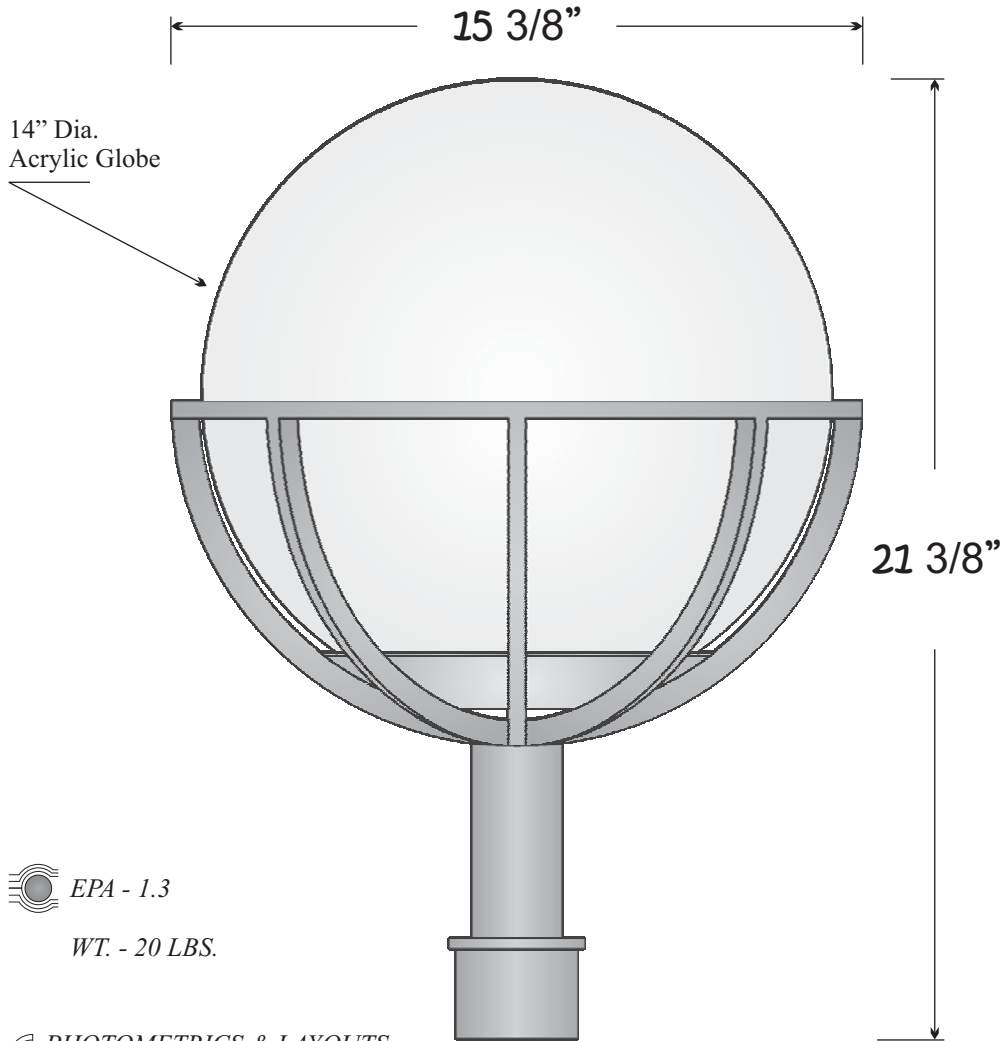


**ELA LIGHTING COMPANY, INC.**  
 17891 Arenth Avenue  
 City of Industry, CA 91748  
 Web: www.ela-lighting.com  
 E-mail: info@ela-lighting.com

Project \_\_\_\_\_  
 Type \_\_\_\_\_

**ATRIUM**  
*Post Mounted Luminaire with 14" Acrylic Globe*

**L3144**  
**Luminaire**



**WATTAGE:**  
 HID - 50, 70, 75, 100, 150 and 175  
 Fluorescent - 13-42

**POSTLINE BALLAST:**  
 MH (Metal Halide)  
 HPS (High Pressure Sodium)  
 PL (Compact Fluorescent)  
 PLS (Pulse Start)  
 INC (Incandescent)  
 OTHER (Please Specify)

**VOLTAGE:**  
 120, 208, 240 and 277 (Multi-Tap)

**SOCKET:**  
 MB - (Medium Base Porcelain)  
 MG - (Mogul Base Porcelain)

**OPTICS:**  
 N/A

**DIFFUSER:**  
 CAC - (Clear Acrylic Globe)  
 WAC - (White Acrylic Globe)  
 OTHER (Please Specify)

**POWDER COAT FINISHES:**  
 MN (Midnight), DB (Dark Bronze),  
 WH (White), VL (Village Green),  
 NR (Natural Russet), GY (Gray),  
 DG (Dark Green), or  
 CUSTOM (Specify)

FIXTURE	WATTAGE	BALLAST	VOLTAGE	OPTICS	DIFFUSER	COLOR	OPTIONS
L3144							

**OPTIONS:**  
 SEE END OF CATALOG

**SPECIFICATIONS:**

The **L3144** lantern is a Contemporary style cast (#319 grade) aluminum fixture. Corrosion resistant.

**TESTING:**  
 This product and all its components shall be U.L. Listed.

**ELECTRICAL:**  
 Sockets are Med. or Candelabra Base 4KV Rated.

**OPTICS:**  
 N/A

**DARK SKIES (available):**  
 N/A

**WARRANTY:**  
 3-Year Manufacturer's warranty.

**ELA LIGHTING**

Ⓢ An American Tradition Since 1929.

Ⓢ Custom Capabilities Second To None.

Ⓢ Other Materials Such As Copper, Brass, Stainless Steel And Iron Are Also Available.

**Call Toll Free: 1-800-423-6561**  
**Fax: 1-626-965-9494**

**L19-3**



**ELA LIGHTING COMPANY, INC.**

17891 Arenth Avenue

City of Industry, CA 91748

Web: [www.ela-lighting.com](http://www.ela-lighting.com) E-mail: [info@ela-lighting.com](mailto:info@ela-lighting.com)

Phone: 800/423-6561 Fax: 626/965-9494

*Photometry Testing Done By an Independent Testing Laboratory.*

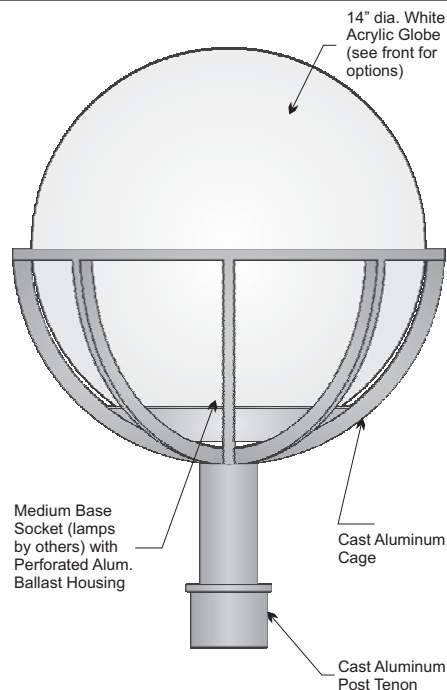
**L3144  
Lantern**

**CONVERSION FACTORS**

**MOUNTING HEIGHTS**

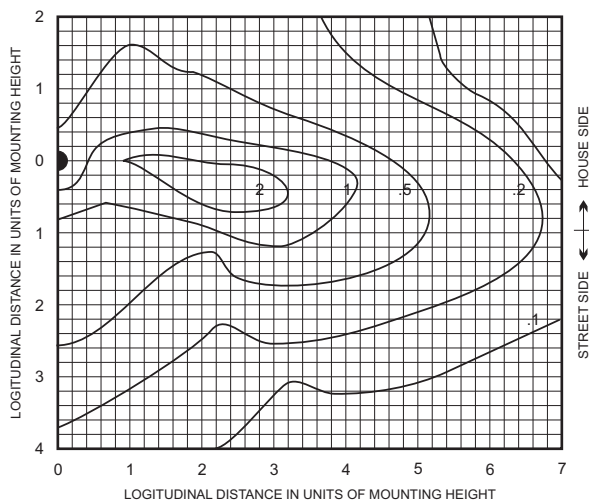
LAMP TYPE	LUMENS	9'	10'	12'	14'	16'	18'	20'	22'	25'
35 CLR HPS	2250	.23	.20	.14	.10	.08	.06			
70 CLR HPS	5800	.60	.52	.36	.27	.20	.16			
100 CLR HPS	9500	1.00	.86	.59	.44	.33	.26			
150 CLR HPS	16000	1.50	1.40	1.00	.74	.56	.44	.32	.20	.08
50 CLR MH	3800	.37	.33	.24	.18	.13	.11			
70 CLR MH	5500	.54	.48	.34	.25	.19	.15			
100 CLR MH	8500	.87	.76	.53	.39	.30	.23			
175 CLR MH	16600	1.75	1.50	1.00	.77	.58	.46	.34	.22	.10
250 CLR MH	20500					.75	.57	.39	.21	
400 CLR MH	36000					1.20	.92	.64	.36	.08
100 DX MV	4200	.42	.37	.26	.19	.15	.12			
150 DX MV	8600	.85	.75	.54	.40	.30	.24			

**SPECIFICATIONS**



**ISOLUX CHARTS**

Type II Cut-off  
150w CLR HPS, 16000 Lumens  
12' Height



Type V Cut-off  
150w CLR HPS, 16000 Lumens  
12' Height

