



ELA LIGHTING COMPANY, INC.
 17891 Arenth Avenue
 City of Industry, CA 91748
 Web: www.ela-lighting.com
 E-mail: info@ela-lighting.com

Project
 Type

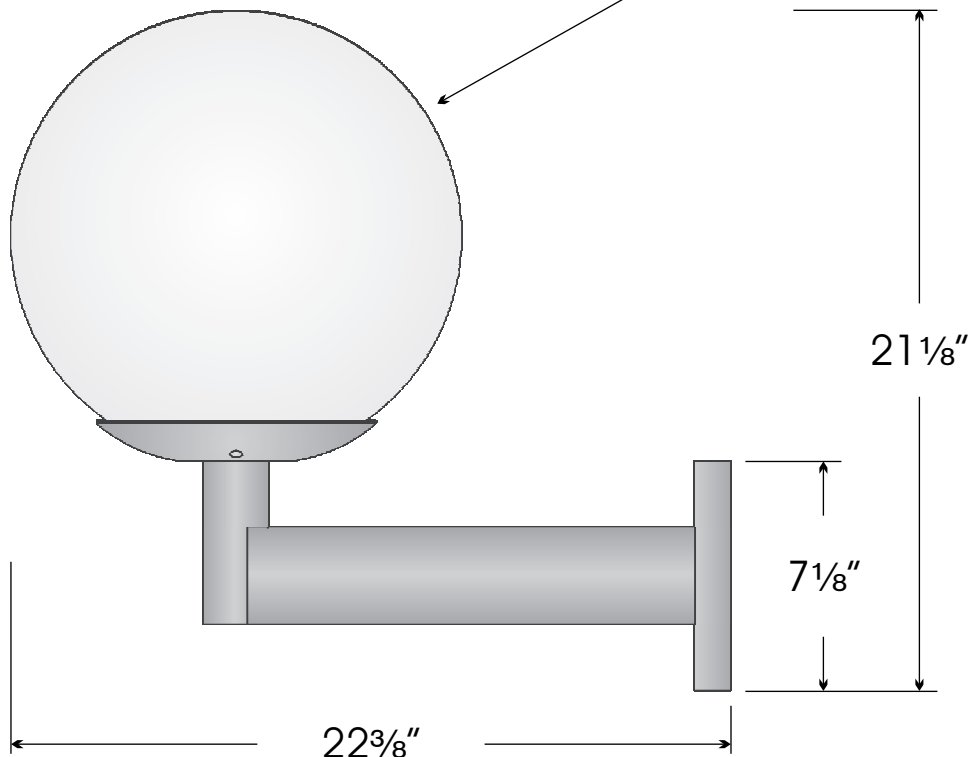
PLAZA
 Wall Mounted Luminaire with 14" Polycarbonate Globe

L2841-14
Luminaire



WT. - 20 LBS.

14" Dia. Polycarbonate Globe



WATTAGE:
 HID - 50, 70, 75 and 100
 Fluorescent - 13-42

POSTLINE BALLAST:
 MH (Metal Halide)
 HPS (High Pressure Sodium)
 PL (Compact Fluorescent)
 PLS (Pulse Start)
 INC (Incandescent)
 OTHER (Please Specify)

VOLTAGE:
 120, 208, 240 and 277 (Multi-Tap)

SOCKET:
 MB - (Medium Base Porcelain)

OPTICS:
 N/A

DIFFUSER:
 CPC - (Clear Polycarbonate)
 CAC - (Clear Acrylic)
 FAC - (Frosted Acrylic)
 WPC - (White Polycarbonate)
 OTHER - (Please Specify)

PHOTOMETRICS & LAYOUTS
 AVAILABLE UPON REQUEST.

POWDER COAT FINISHES:
 MN (Midnight), DB (Dark Bronze),
 WH (White), VL (Village Green),
 NR (Natural Russet), GY (Gray),
 DG (Dark Green), or
 CUSTOM (Specify)

FIXTURE	WATTAGE	BALLAST	VOLTAGE	OPTICS	DIFFUSER	COLOR	OPTIONS
L2841-14							

OPTIONS:
 SEE END OF CATALOG

SPECIFICATIONS:

ELA LIGHTING
 ▶ An American Tradition Since 1929.
 ▶ Custom Capabilities Second To None.
 ▶ Other Materials Such As Copper, Brass, Stainless Steel And Iron Are Also Available.

The **L2844-16** lantern is a contemporary style fabricated aluminum fixture. Corrosion resistant.

TESTING:
 This product and all its components shall be U.L. Listed.

ELECTRICAL:
 Ballasts are High Power Factor (HPF). Sockets are Med. or Mogul Base 4KV Rated.

OPTICS:
 Refractors shall be precision molded of Borosilicate glass with Types 2, 3 or 5 distribution or of spun aluminum.

DARK SKIES (available):
 N/A

WARRANTY:
 3-Year Manufacturer's warranty.

Call Toll Free: 1-800-423-6561
Fax: 1-626-965-9494

LA4-1



ELA LIGHTING COMPANY, INC.

17891 Arenth Avenue

City of Industry, CA 91748

Web: www.ela-lighting.com E-mail: info@ela-lighting.com

Phone: 800/423-6561 Fax: 626/965-9494

Photometry Testing Done By an Independent Testing Laboratory.

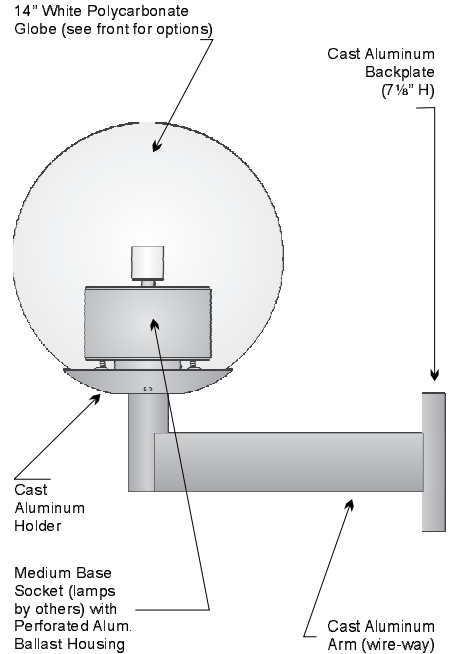
**L2841-14
Lantern**

CONVERSION FACTORS

MOUNTING HEIGHTS

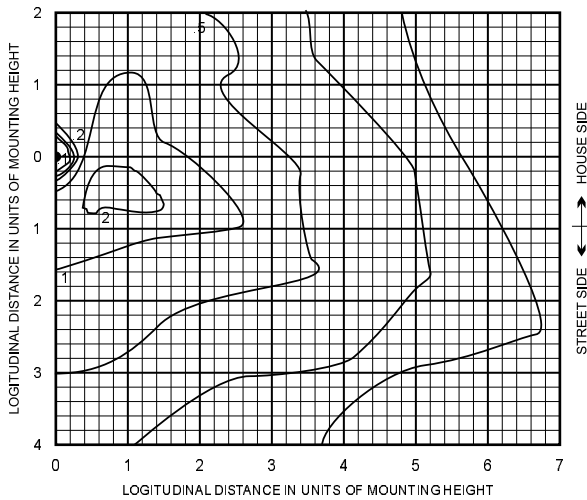
LAMP TYPE	LUMENS	9'	10'	12'	14'	16'	18'	20'	22'	25'
35 CLR HPS	2250	.23	.20	.14	.10	.08	.06			
70 CLR HPS	5800	.60	.52	.36	.27	.20	.16			
100 CLR HPS	9500	1.00	.86	.59	.44	.33	.26			
50 CLR MH	3800	.37	.33	.24	.18	.13	.11			
70 CLR MH	5500	.54	.48	.34	.25	.19	.15			
100 CLR MH	8500	.87	.76	.53	.39	.30	.23			
100 DX MV	4200	.42	.37	.26	.19	.15	.12			

SPECIFICATIONS

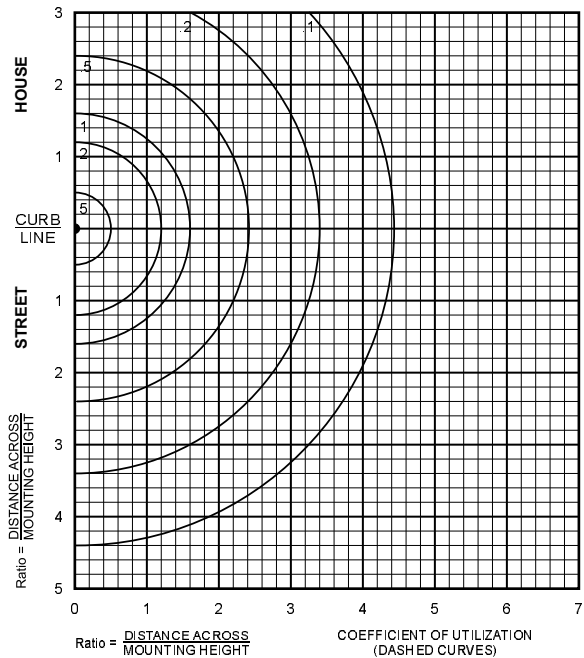


ISOLUX CHARTS

Type III Distributor
100w CLR MH, 6750 Mean Lumens
12' Height



Type V Distribution
100w CLR MH, 6750 Mean Lumens
12' Height



LA4-2

Note: Specifications are subject to change without notice. Always consult factory.