



ELA LIGHTING COMPANY, INC.
 17891 Arenth Avenue
 City of Industry, CA 91748
 Web: www.ela-lighting.com
 E-mail: info@ela-lighting.com

Project
 Type

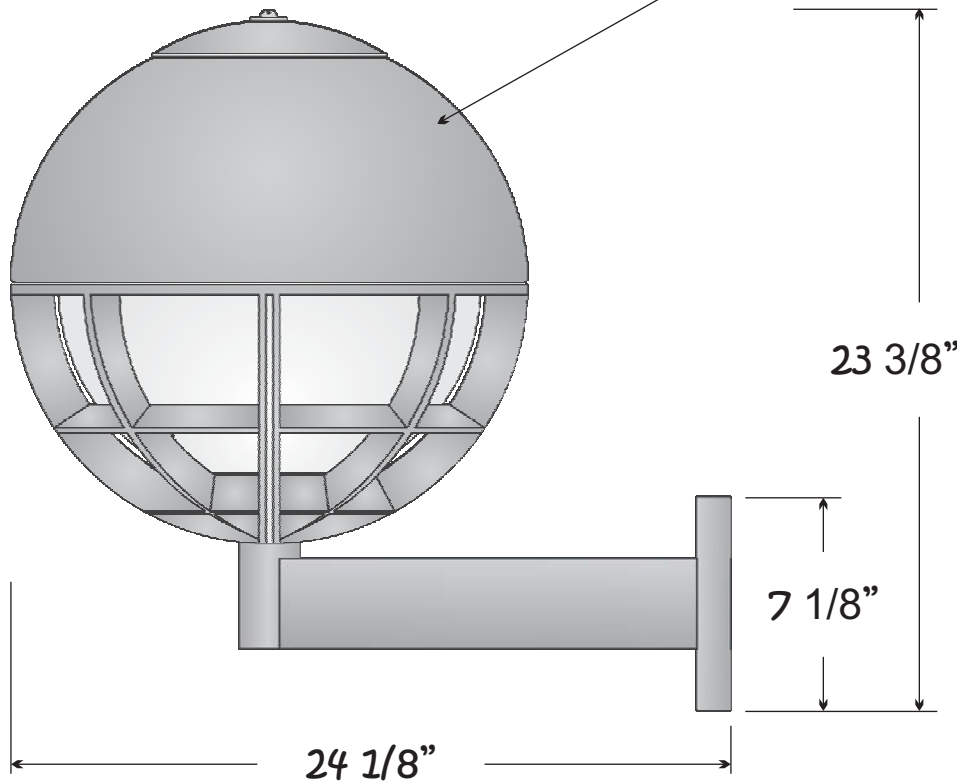
Haloguard
 Wall Mounted Luminaire with Acrylic Globe

L2641-2
 Luminaire



WT. - 23 LBS.

Removable Hood, 17 1/2" Dia.



WATTAGE:
 HID - 50, 70, 75, 100, 150 and 175
 Fluorescent - 13-42

POSTLINE BALLAST:
 MH (Metal Halide)
 HPS (High Pressure Sodium)
 PL (Compact Fluorescent)
 PLS (Pulse Start)
 INC (Incandescent)
 OTHER (Please Specify)

VOLTAGE:
 120, 208, 240 and 277 (Multi-Tap)

SOCKET:
 MB - (Medium Base Porcelain)
 MG - (Mogul Base Porcelain)

OPTICS:
 PG = Prismatic Glass Refractor
 PG2 (Type II), PG3 (Type III),
 or PG5 (Type V).
 -or-
 SP & ST = Polished Alum. Reflector
 SP (Spun) or ST (Stacked)

DIFFUSER:
 CGL - (Clear Glass)
 BCG - (Beveled Clear Glass)
 OGL - (Opal Glass)
 FGL - (Frosted Glass)
 CAC - (Clear Acrylic)
 FAC - (Frosted Acrylic)
 OTHER (Please Specify)

POWDER COAT FINISHES:
 MN (Midnight), DB (Dark Bronze),
 WH (White), VL (Village Green),
 NR (Natural Russet), GY (Gray),
 DG (Dark Green), or
 CUSTOM (Specify)

PHOTOMETRICS & LAYOUTS
 AVAILABLE UPON REQUEST.

FIXTURE WATTAGE BALLAST VOLTAGE OPTICS DIFFUSER COLOR OPTIONS

L2641-2

OPTIONS:
 SEE END OF CATALOG

SPECIFICATIONS:

The **L2641-2** lantern is a contemporary style cast (#319 grade) aluminum fixture. Corrosion resistant.

TESTING:
 This product and all its components shall be U.L. Listed.

ELECTRICAL:
 Ballasts are High Power Factor (HPF). Sockets are Med. or Mogul Base 4KV Rated.

OPTICS:
 Refractors shall be precision molded of Borosilicate glass with Types 2, 3 or 5 distribution or of spun aluminum.

DARK SKIES (available):
 Units will be hydroformed or segmented sharp cut-off optics.

WARRANTY:
 3-Year Manufacturer's warranty.

ELA LIGHTING
 An American Tradition Since 1929.
 Custom Capabilities Second To None.
 Other Materials Such As Copper, Brass, Stainless Steel And Iron Are Also Available.

Call Toll Free: 1-800-423-6561

Fax: 1-626-965-9494

L15-3



ELA LIGHTING COMPANY, INC.

17891 Arenth Avenue

City of Industry, CA 91748

Web: www.ela-lighting.com E-mail: info@ela-lighting.com

Phone: 800/423-6561 Fax: 626/965-9494

Photometry Testing Done By an Independent Testing Laboratory.

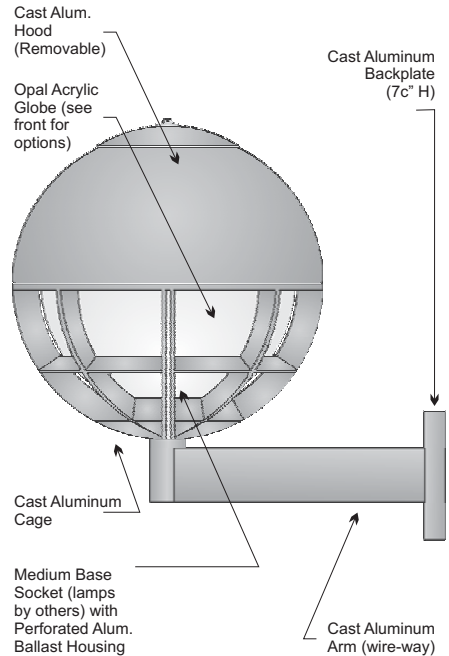
**Haloguard
Lantern**

CONVERSION FACTORS

MOUNTING HEIGHTS

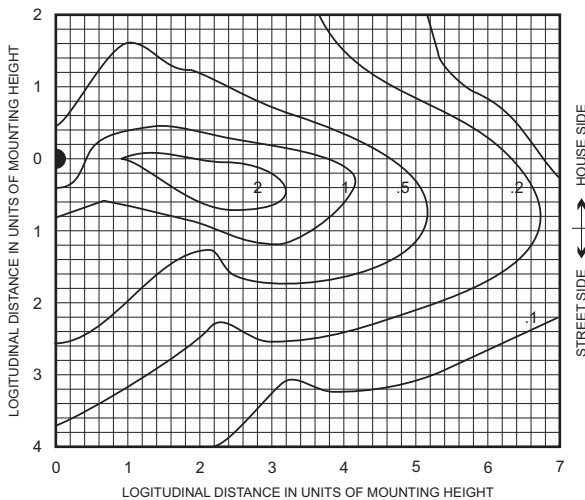
SPECIFICATIONS

LAMP TYPE	LUMENS	9'	10'	12'	14'	16'	18'	20'	22'	25'
35 CLR HPS	2250	.23	.20	.14	.10	.08	.06			
70 CLR HPS	5800	.60	.52	.36	.27	.20	.16			
100 CLR HPS	9500	1.00	.86	.59	.44	.33	.26			
150 CLR HPS	16000	1.50	1.40	1.00	.74	.56	.44	.32	.20	.08
50 CLR MH	3800	.37	.33	.24	.18	.13	.11			
70 CLR MH	5500	.54	.48	.34	.25	.19	.15			
100 CLR MH	8500	.87	.76	.53	.39	.30	.23			
175 CLR MH	16600	1.75	1.50	1.00	.77	.58	.46	.34	.22	.10
250 CLR MH	20500					.75	.57	.39	.21	
400 CLR MH	36000					1.20	.92	.64	.36	.08
100 DX MV	4200	.42	.37	.26	.19	.15	.12			
150 DX MV	8600	.85	.75	.54	.40	.30	.24			

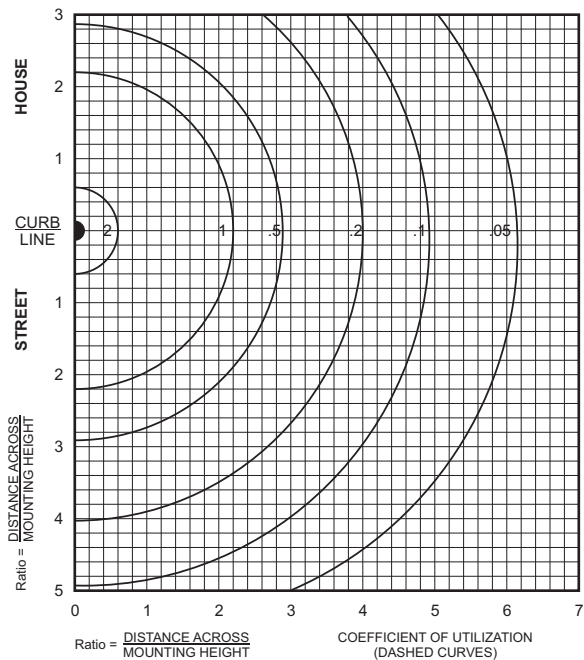


ISOLUX CHARTS

Type II Cut-off
150w CLR HPS, 16000 Lumens
12' Height



Type V Cut-off
150w CLR HPS, 16000 Lumens
12' Height



L15-4

Note: Specifications are subject to change without notice. Always consult factory.