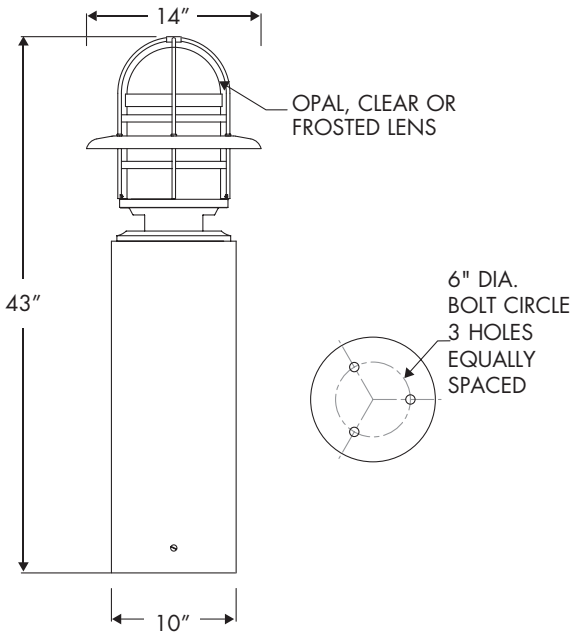
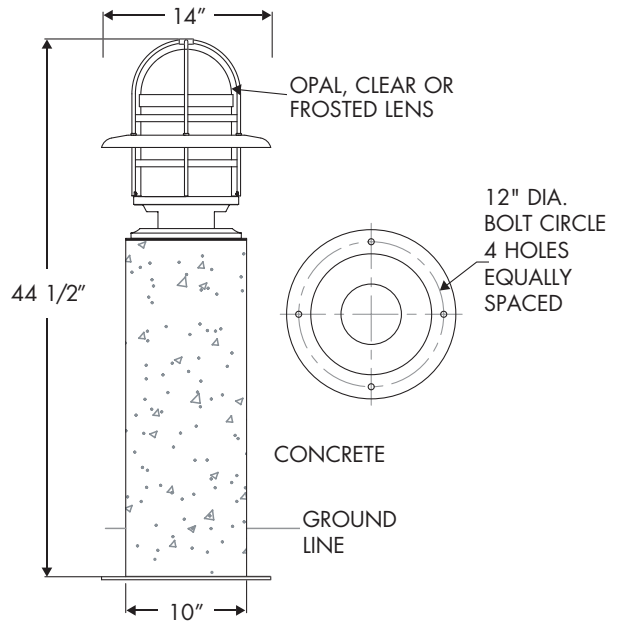


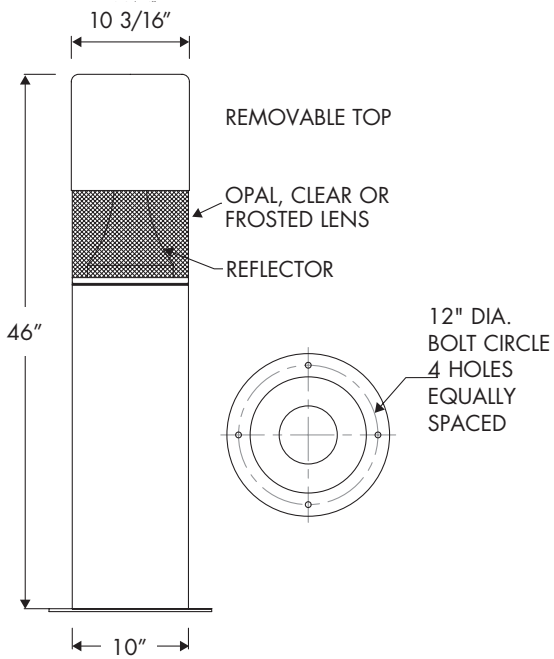
Note: Specifications are subject to change without notice. Always consult factory.



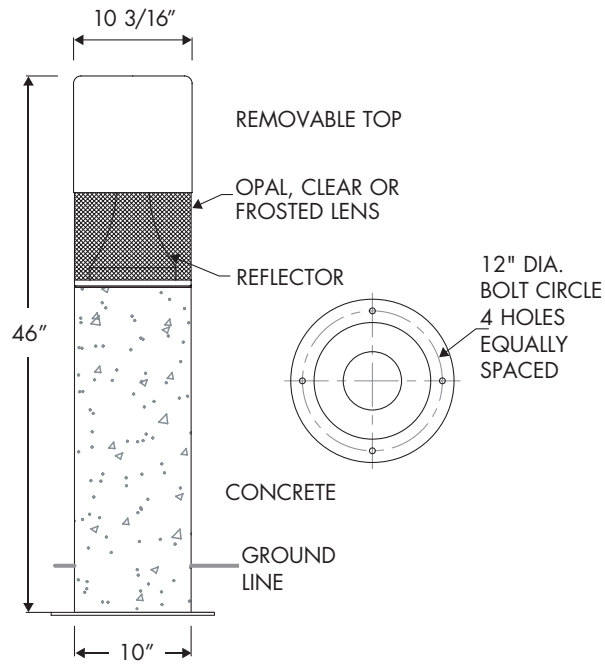
BOL-5350L



BOL-5352L



BOL-3610L



BOL-5010L

LAMP SOURCES AVAILABLE

Metal Halide

50W.
70W.
100W.

High Pressure Sodium

50W.
70W.
100W.

Mercury Vapor

50W.
75W.
100W.

Incandescent

TO 100W.



Environmental Lighting for Architecture, Inc.
17891 Arenth Avenue, City of Industry, CA 91748-1197
626.965.0821 • 800.423.6561 • fax 626.965.9494
www.ela-lighting.com