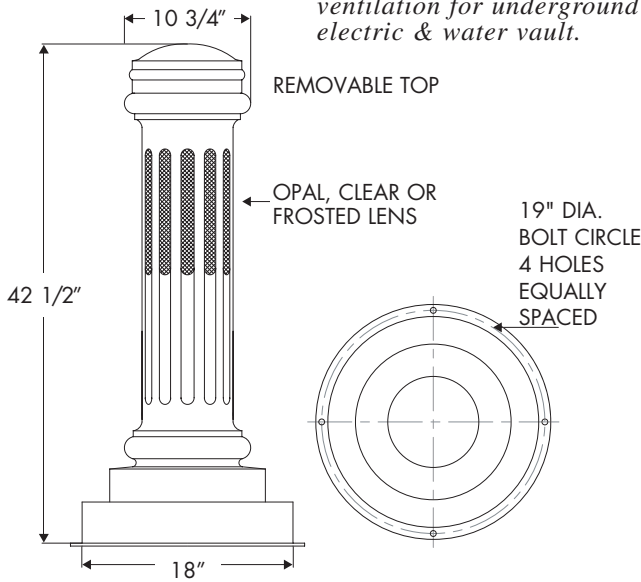
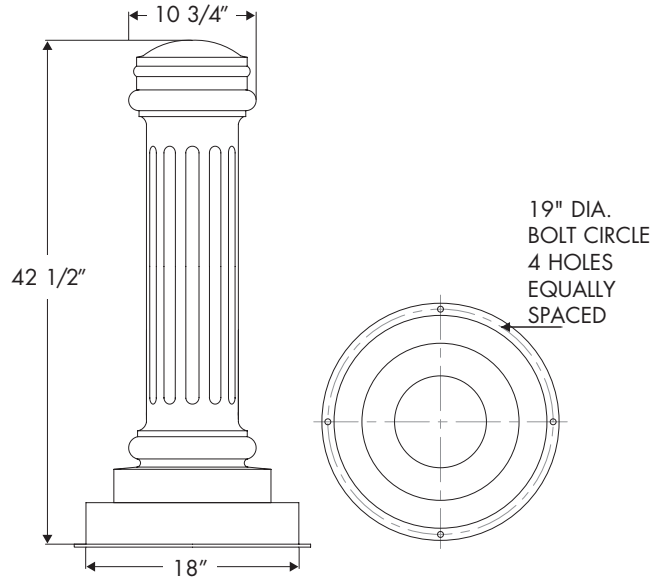


Note: Specifications are subject to change without notice. Always consult factory.

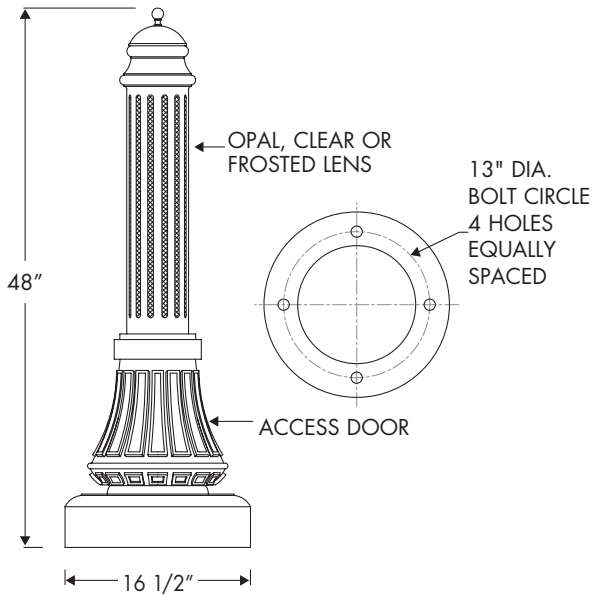
*Ventilation Bollard design
to provide above ground
ventilation for underground
electric & water vault.*



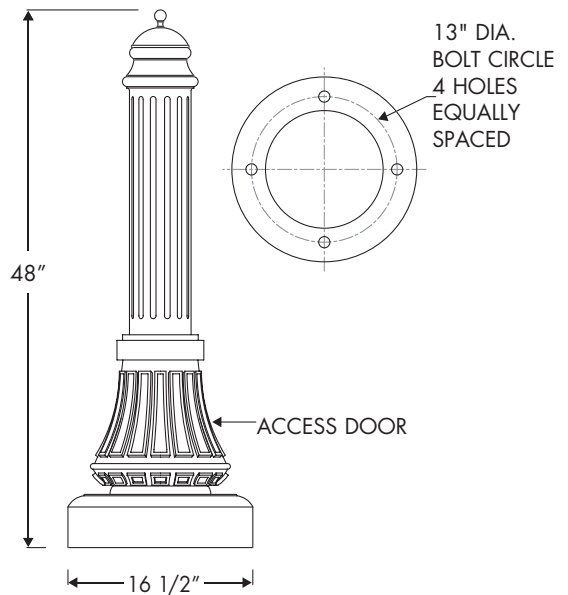
BOL-5030L



BOL-5030NL



BOL-3024L



BOL-3024NL

LAMP SOURCES AVAILABLE

Metal Halide

50W.
70W.
100W.

High Pressure Sodium

50W.
70W.
100W.

Mercury Vapor

50W.
75W.
100W.

Incandescent

TO 100W.



Environmental Lighting for Architecture, Inc.
17891 Arenth Avenue, City of Industry, CA 91748-1197
626.965.0821 • 800.423.6561 • fax 626.965.9494
www.ela-lighting.com