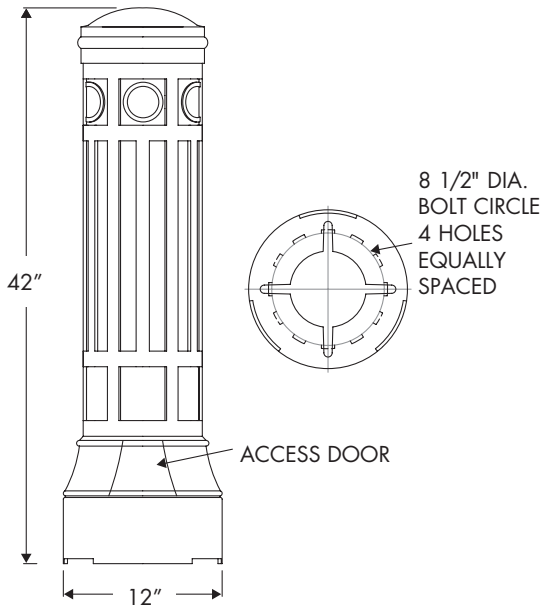
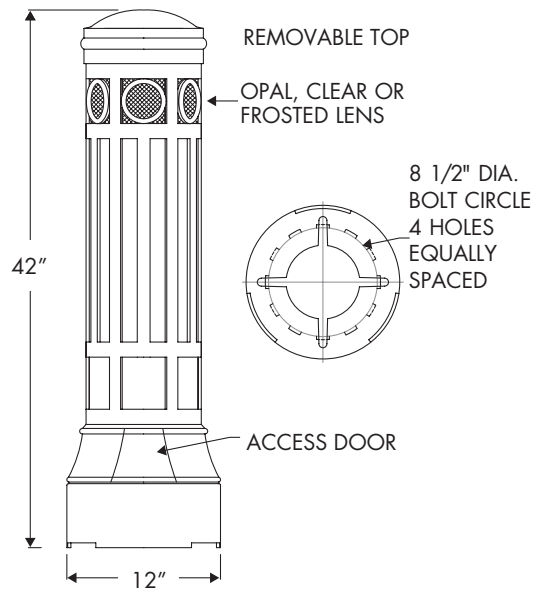


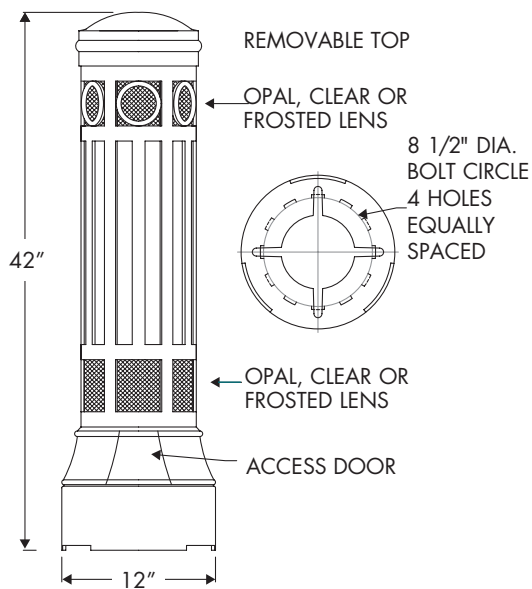
Note: Specifications are subject to change without notice. Always consult factory.



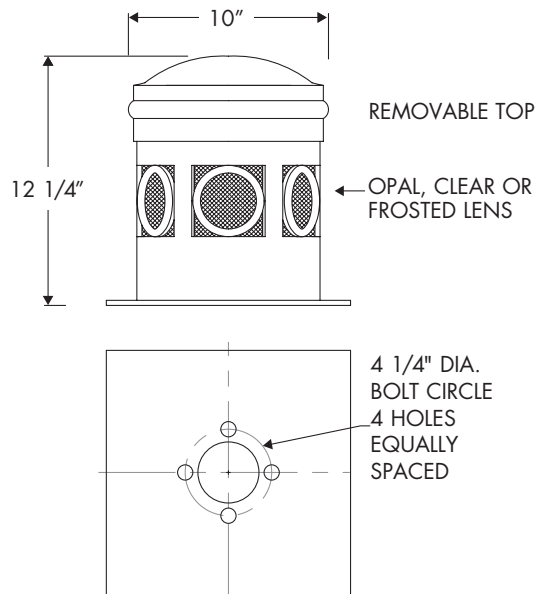
BOL-3051NL



BOL-3051L



BOL-3051LA



BOL-3071L

LAMP SOURCES AVAILABLE

Metal Halide

50W.
70W.
100W.

High Pressure Sodium

50W.
70W.
100W.

Mercury Vapor

50W.
75W.
100W.

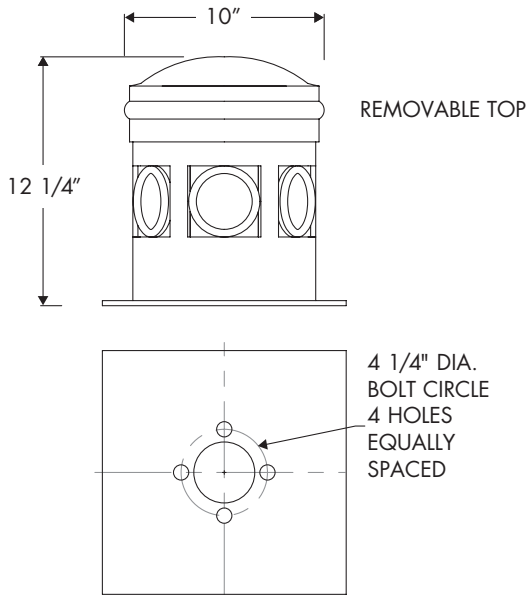
Incandescent

TO 100W.

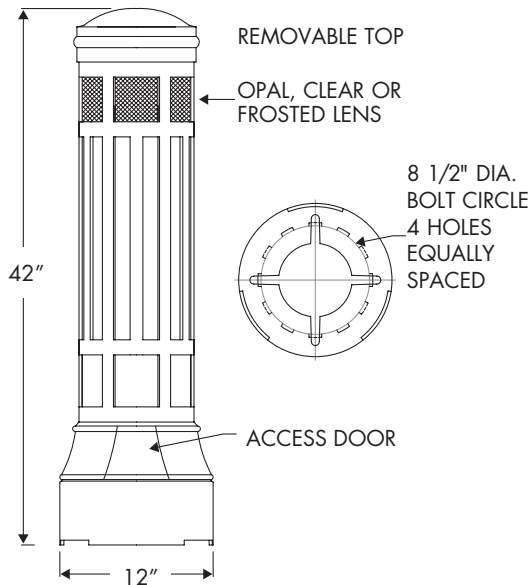


Environmental Lighting for Architecture, Inc.
17891 Arenth Avenue, City of Industry, CA 91748-1197
626.965.0821 • 800.423.6561 • fax 626.965.9494
www.ela-lighting.com

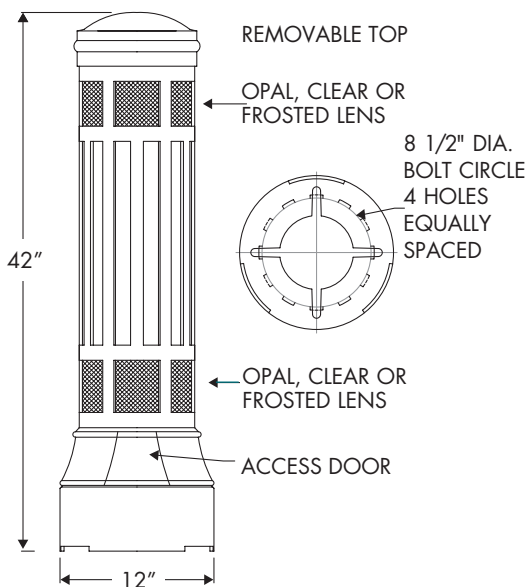
Note: Specifications are subject to change without notice. Always consult factory.



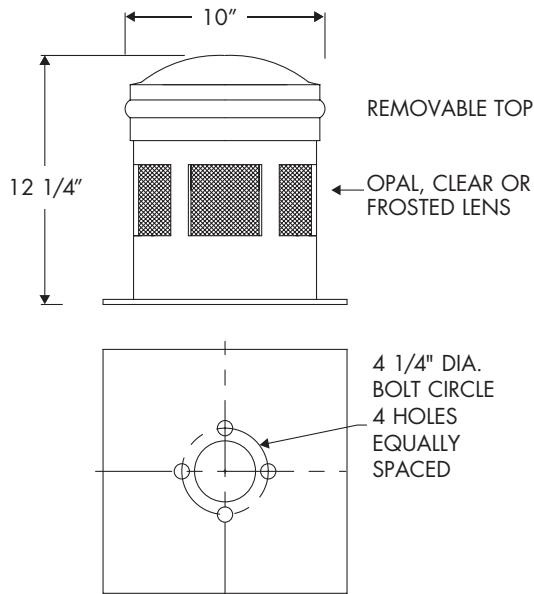
BOL-3071NL



BOL-3051L



BOL-3051LA



BOL-3071L

LAMP SOURCES AVAILABLE

Metal Halide

50W.
70W.
100W.

High Pressure Sodium

50W.
70W.
100W.

Mercury Vapor

50W.
75W.
100W.

Incandescent

TO 100W.



Environmental Lighting for Architecture, Inc.
17891 Arenth Avenue, City of Industry, CA 91748-1197
626.965.0821 • 800.423.6561 • fax 626.965.9494
www.ela-lighting.com