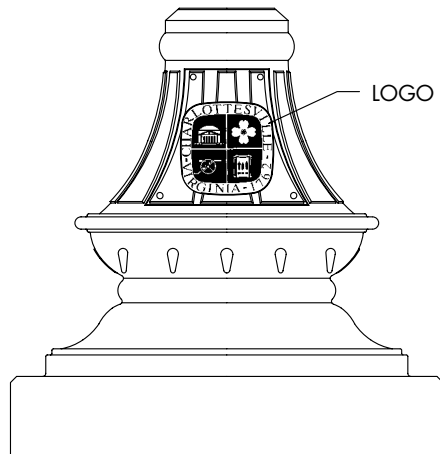
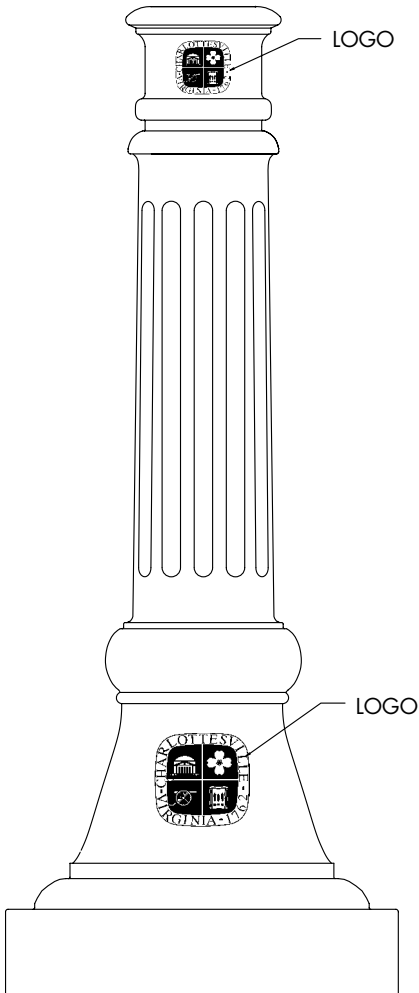
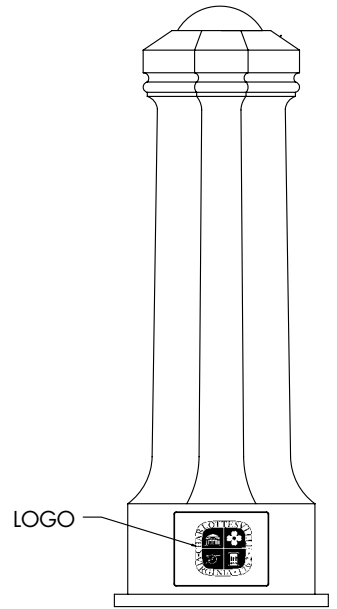
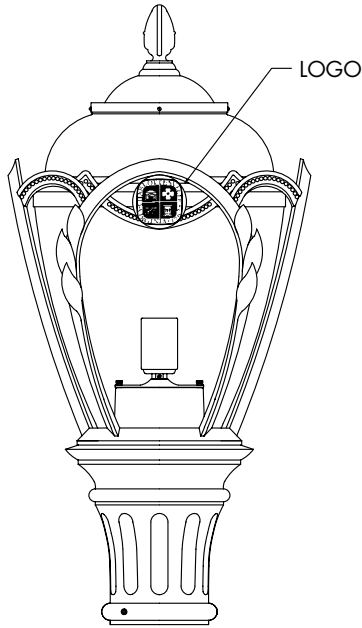




**Example**  
*Your Logo or City Seal duplicated*



*Customized and personalized City Seals or Logos can be duplicated for application on our cast bases, bollards, and luminaires which always adds a uniqueness to any project.  
Please contact the factory for information and details.*



**Environmental Lighting for Architecture, Inc.**  
17891 Arenth Avenue, City of Industry, CA 91748-1197  
626.965.0821 • 800.423.6561 • fax 626.965.9494  
[www.ela-lighting.com](http://www.ela-lighting.com)